

Hg System Design

V.B. Graves

P.T. Spampinato

MERIT Hg System Safety Review

CERN

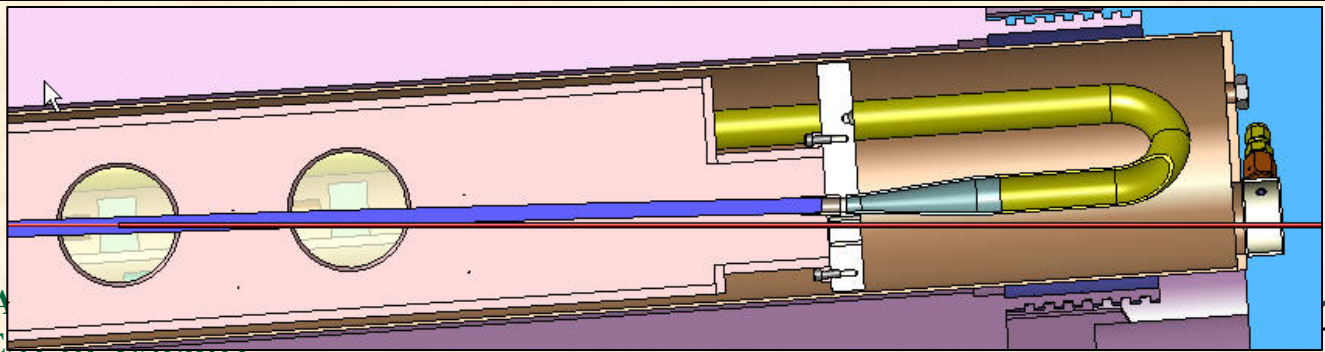
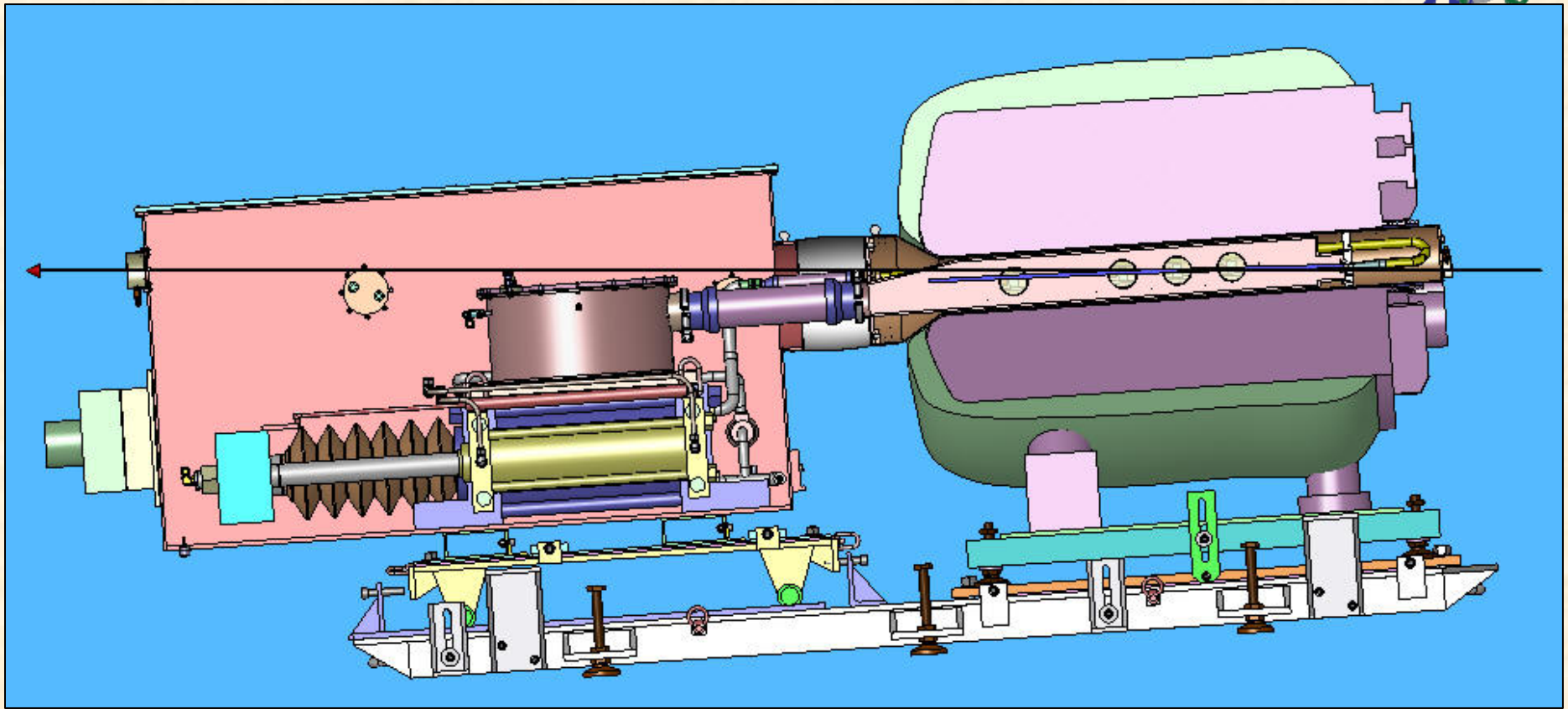
June 19-20, 2006

Outline



- **Requirements & environment**
- **System design overview**
- **Component descriptions**
- **Facility interfaces**
- **System safety design features**

MERIT Side View



OAK RIDGE NATIONAL LABORATORY
U. S. DEPARTMENT OF ENERGY



Requirements and Operating Conditions

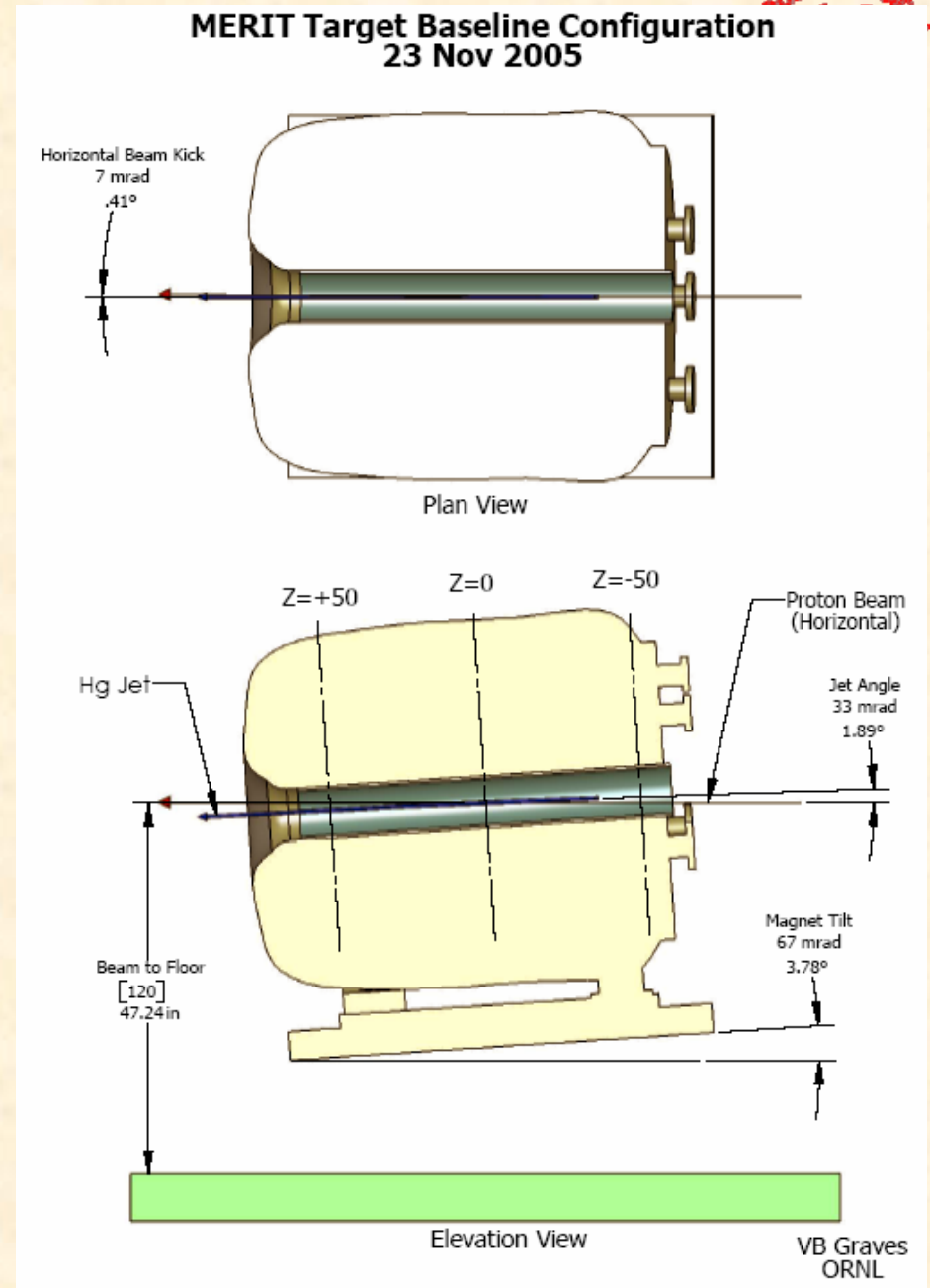


Target system must deliver a stable, unconstrained jet of Hg into a 15 Tesla field

- **1-cm diameter jet at 20 m/s delivered every 30 minutes**
 - Q=1.6liter/s, $Re \sim 10^6$
- **~1-sec steady state jet during the magnet peak field**
- **Baseline Hg environment is 1-atm air**
- **24 GeV and 14 GeV beam configurations**
- **Up to 100 pulses for the CERN test, >500 operating cycles for system testing**
- **Primary diagnostic is high-speed shadow photography**

Geometry of the Interaction Region

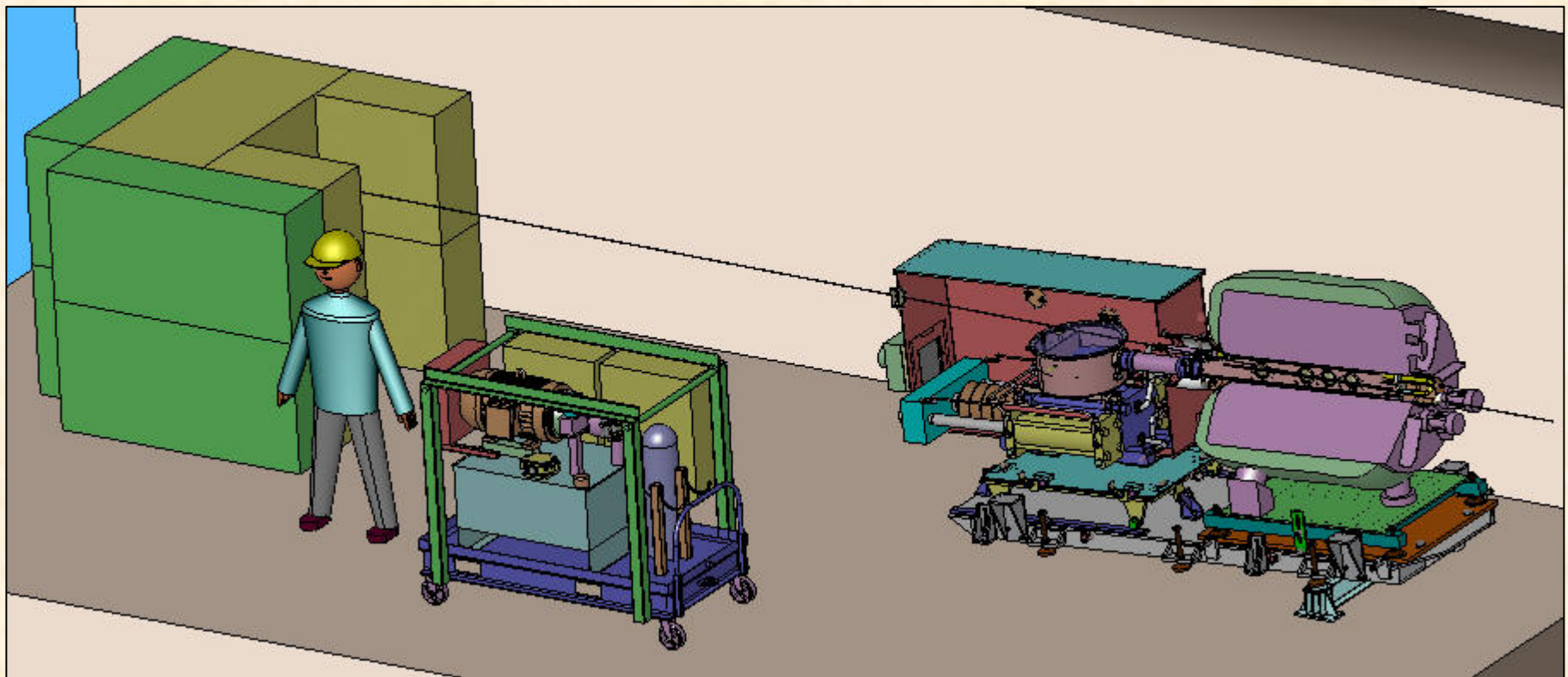
- Jet-beam interaction length is 30-cm
- Horizontal proton beam
- Magnet axis to beam angle 67 milliradians
- Jet crosses beam at 33 milliradians
 - Jet starts above beam
 - Jet & beam in same direction
- The jet centerline crosses the beam center at $Z=0$ (center of the solenoid)
- 7 milliradian horizontal beam kick in 24 GeV configuration; 12 milliradian kick in 14 GeV configuration



Experiment Layout



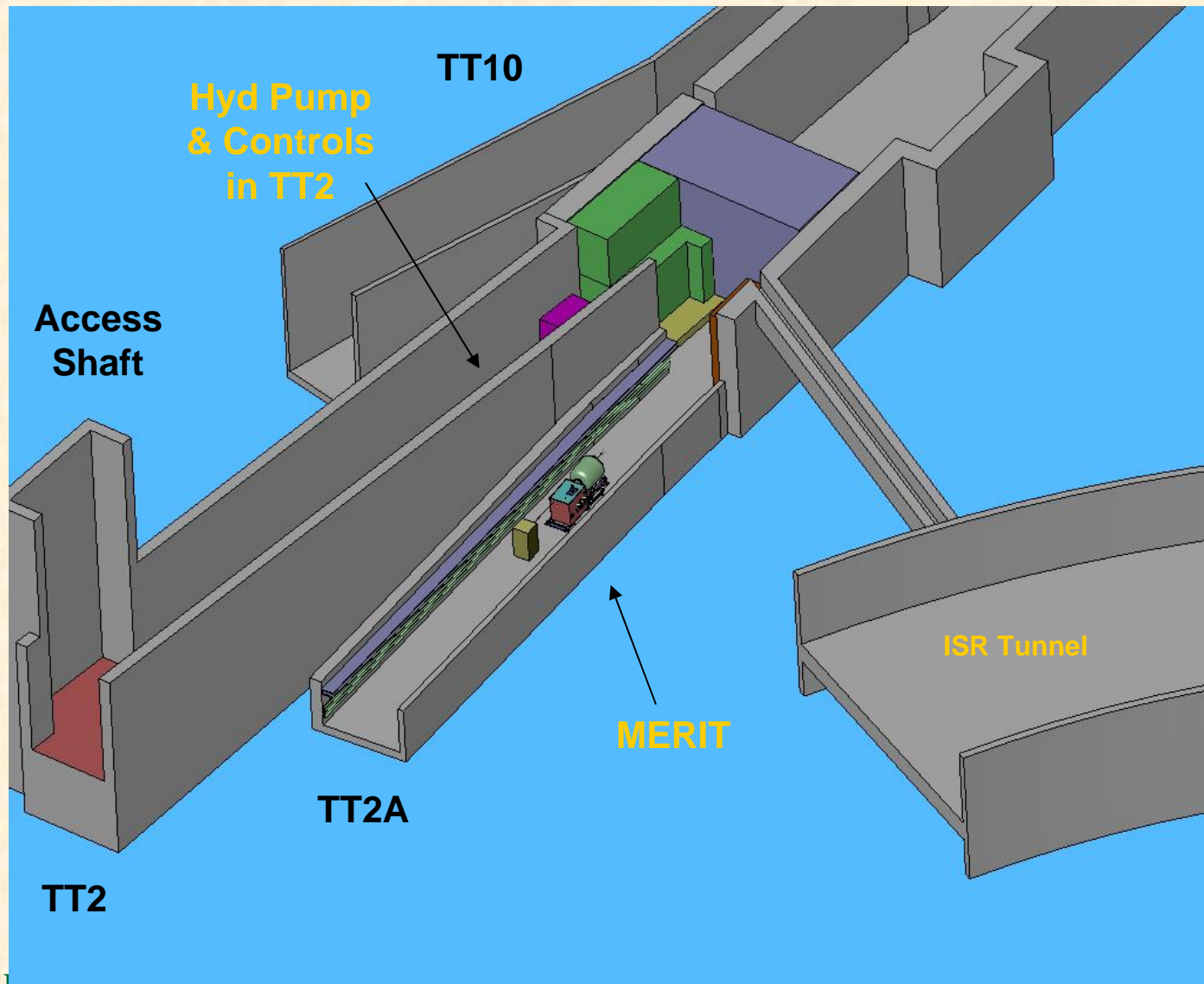
- Hg target is a self-contained module inserted into the magnet bore
- Two containment barriers between the Hg and the TT2A tunnel environment



OAK RIDGE NATIONAL LABORATORY
U. S. DEPARTMENT OF ENERGY

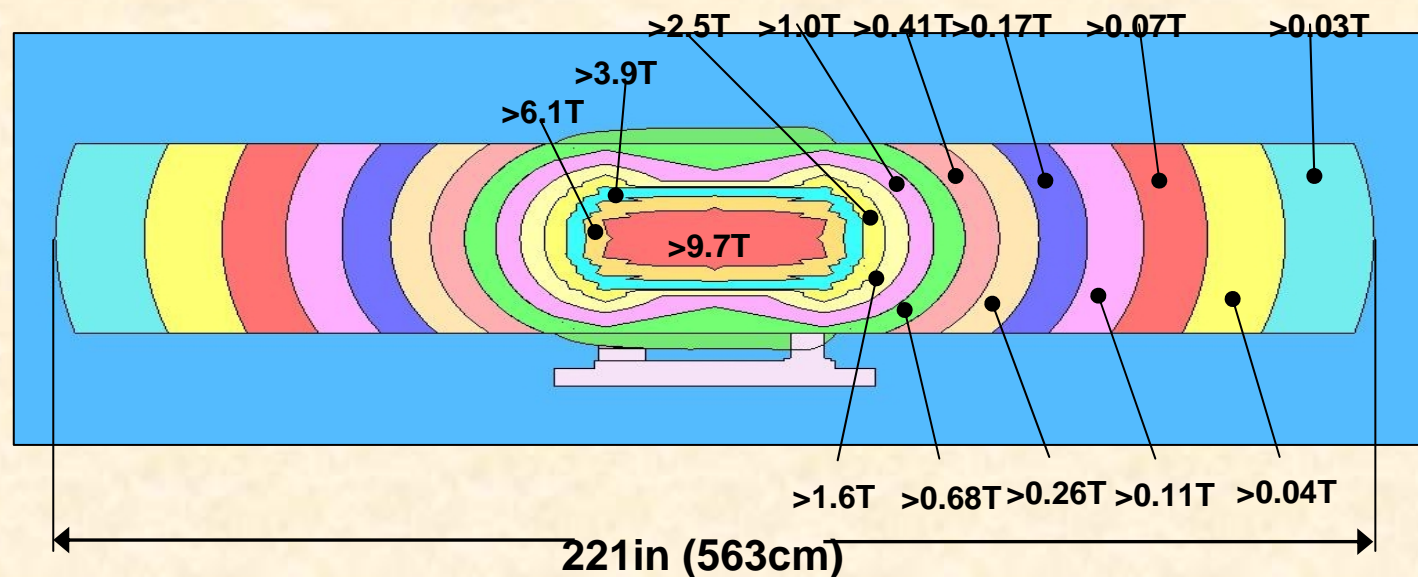
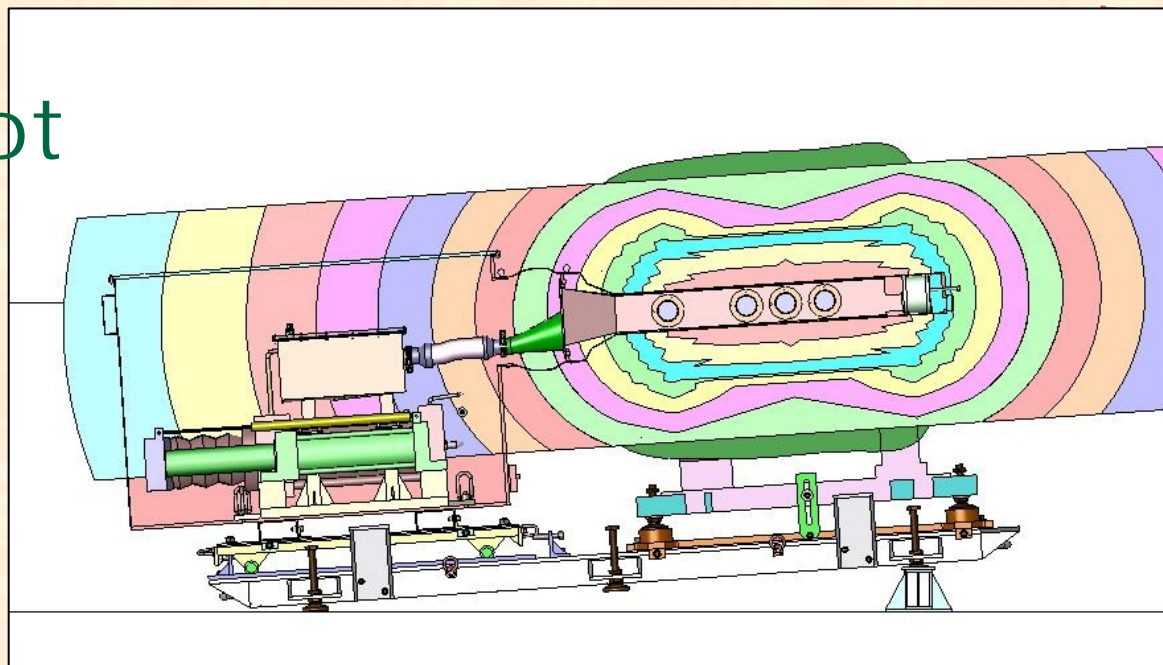


Experiment at CERN



Stray Field Plot

- The pump equipment operates in a range of 3000 Gauss to 300 Gauss ($1 \text{ Tesla} = 10^4 \text{ Gauss}$)
- Nozzle located in 6-9 Tesla field



OAK RIDGE NATIONAL LABORATORY
U. S. DEPARTMENT OF ENERGY

Hg System Safety Review 19-20 June 2006

UT-BATTELLE

Design Specifications and Requirements



- **ISO 2919, Table 2 "Classification of Sealed Source Performance" suggested by CERN Safety Commission as starting point for design criteria**
 - **Temperature: met by component selection**
 - **External pressure: not applicable**
 - **Impact: sapphire viewports tested**
 - **Vibration: system can be anchored to floor**
 - **Puncture: met by inference**
- **Specific Hg system components designed and fabricated according to appropriate US standards**



Materials of Construction

- **Issues: compatibility with Hg, transparency to magnetic fields**
 - Total radiation dose $\sim 10^4$ rads, within limits of wide variety of materials
- **Major materials of construction**
 - Hydraulic cylinders: SS316, Nitronic-50
 - Primary containment: SS304L/316L, Ti alloys, sapphire, buna-N (gaskets)
 - Secondary containment: SS304L/316L, Lexan
 - Baseplates: AL6061-T6

Target Module Major Subsystems



- **Syringe hydraulic power unit (HPU)**

- Hydraulic pump & motor
- 40 gal fluid reservoir
- Electrical control

- **Primary containment**

- Hg-wetted components
- Capacity 23 liters Hg (~760 lbs)
- Jet duration up to 12 sec

- **Secondary containment**

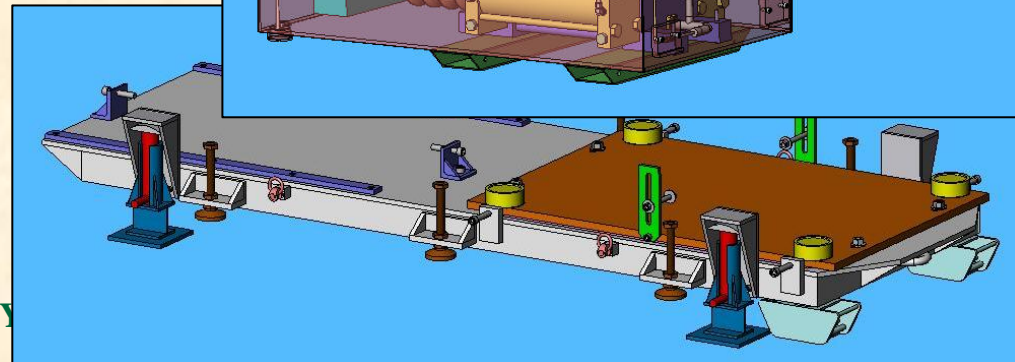
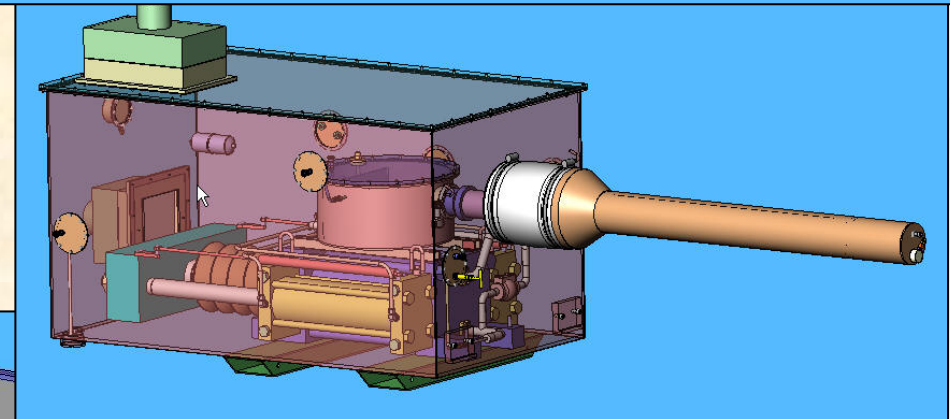
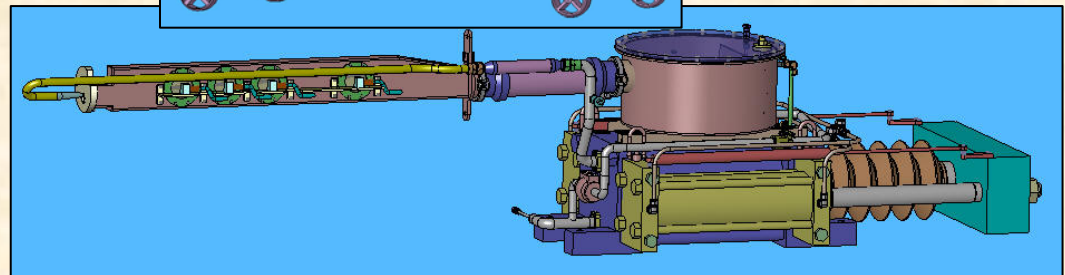
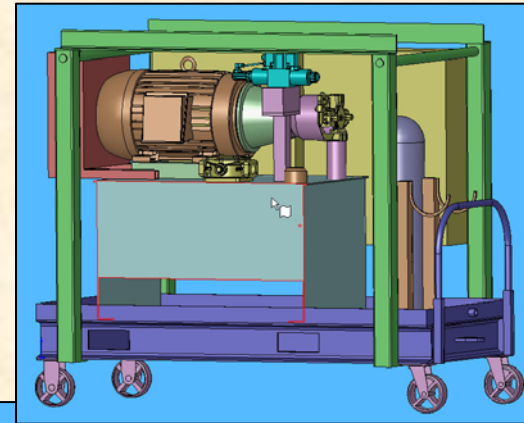
- Hg leak/vapor containment
- Ports for instruments, Hg fill/drain, hydraulics

- **Support structures**

- Provides mobility and stationary equipment support as well as alignment features

- **Control system**

- Provides remote control capability

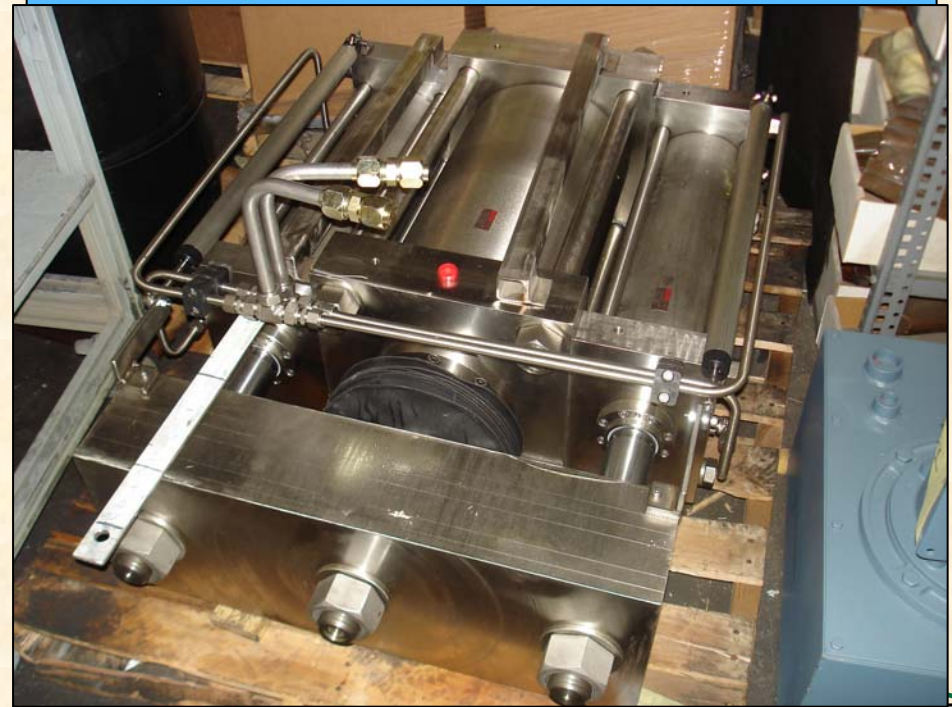
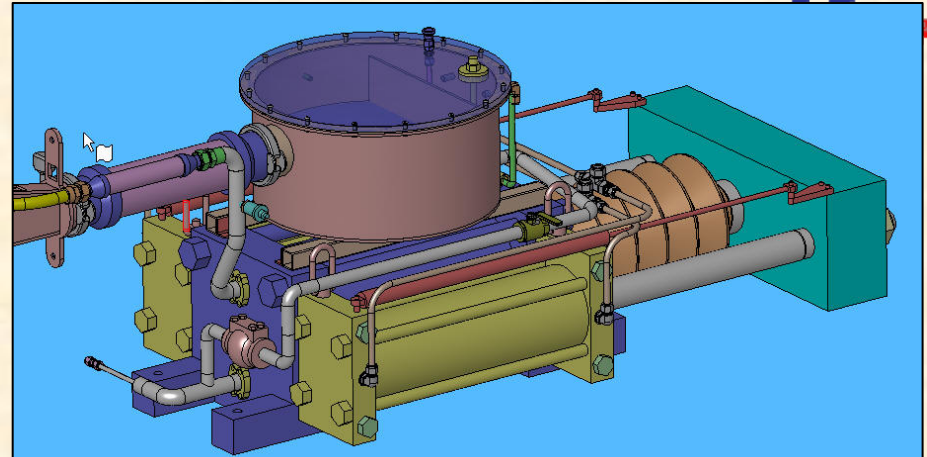


OAK RIDGE NATIONAL LABORATORY
U. S. DEPARTMENT OF ENERGY



Hg Syringe Cylinders

- **Jet 1 cm dia, 20 m/s**
 - Hg flow rate 95 liter/min (25 gpm)
 - Piston velocity 3.0 cm/s (1.2 in/sec)
- **Hg cylinder force 525 kN (120 kip)**
- **Design standard**
 - ANSI/B93.10, *Static Pressure Rating Methods of Square Head Fluid Power Cylinders*
- **Pressure ratings**
 - Hg cylinder 100 bar (1500 psi)
 - Drive cylinders 200 bar (3000 psi)
 - All cylinders pressure tested to 150% rated capacity
- **Primary containment volume includes both sides of Hg piston**



Hydraulic Power Unit

- Actuates syringe drive cylinders
- Connected to secondary containment through non-magnetic hoses
- Proportional control valve provides precise hydraulic flow based on command signal from control system
- 200 bar (3000 psi) nominal operating pressure
- Incorporates relief valve to prevent over-pressure condition
- Breather-vent filter isolates reservoir air from tunnel
- Drip pan for small fluid leaks



OAK RIDGE NATIONAL LABORATORY
U. S. DEPARTMENT OF ENERGY

UT-BATTELLE



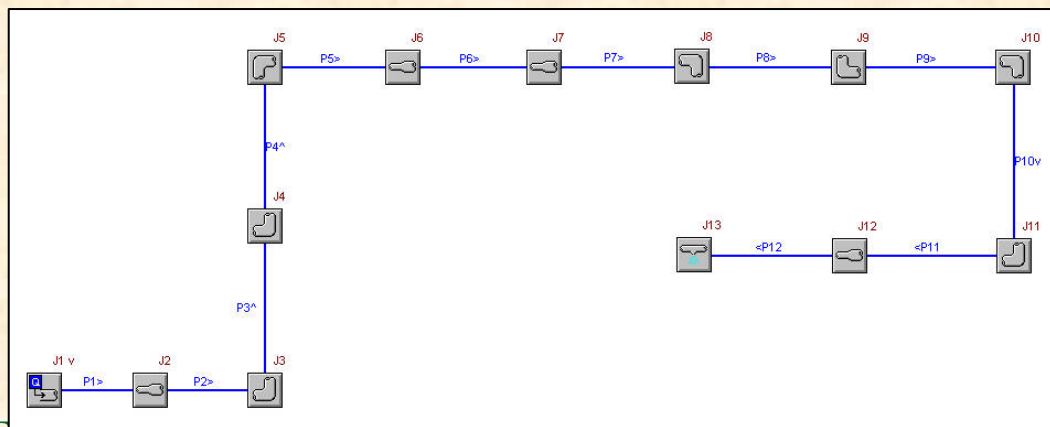
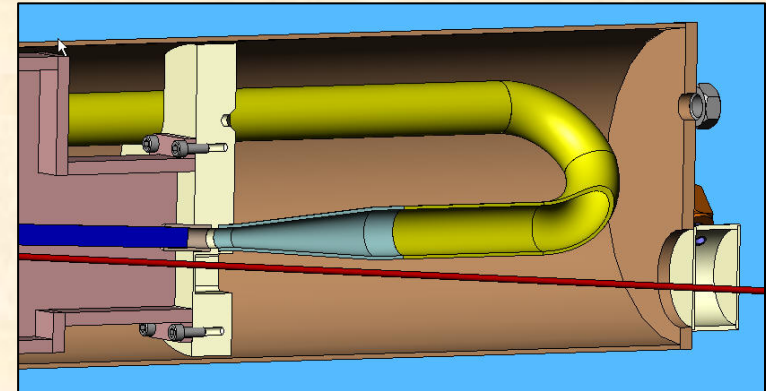
Hydraulic Fluid Containment

- **Hydraulic fluid: Quintolubric-888, low-flammability, vegetable-oil based fluid**
- **Hydraulic fluid will be slightly activated and moving between syringe cylinders and HPU in TT2**
- **Most likely source of fluid leakage at connectors**
 - Wrap connectors during installation
 - Drip pan under secondary containment connectors
- **Reservoir leak would require additional container with 40-50gal capacity**
 - Large pan could be added if deemed to be necessary



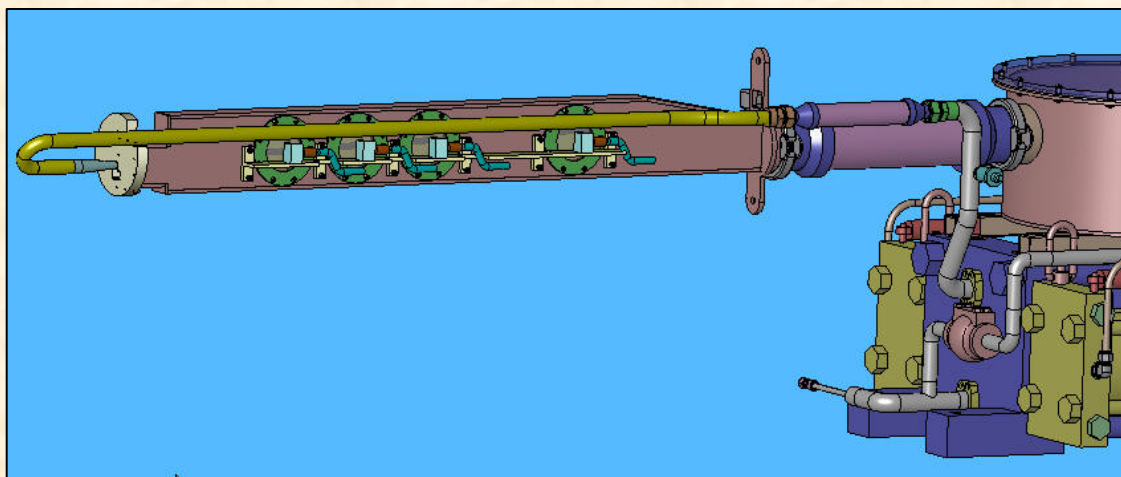
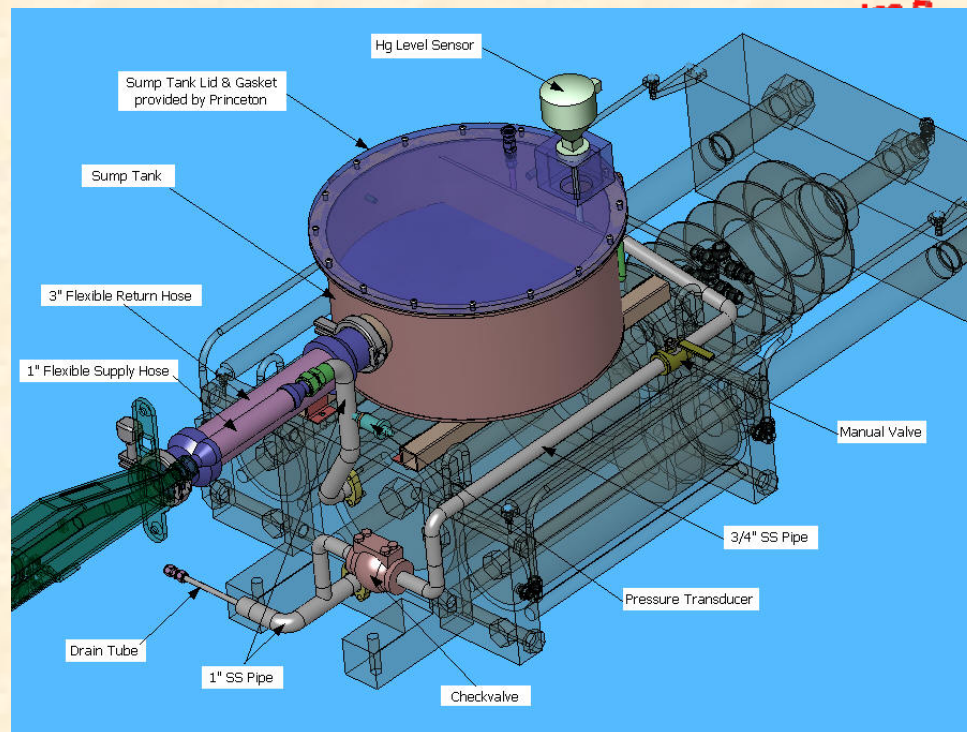
Flow Simulation Using AFT Fathom

- Simulates mechanical piping/flow losses
 - Does not include MHD effects
- Current nozzle configuration predicts cylinder pressure of ~45 bar (650 psi)
- Syringe design pressure 100 bar (1500 psi)
 - Significant excess pressure capacity to accommodate losses due to field effects
 - Can't quantify until MIT testing
- Highest Hg pressure occurs in cylinder
 - Monitoring cylinder discharge pressure will provide mechanism to protect downstream components



Additional Primary Containment

- **High Hg pressures are only in primary containment between cylinder and nozzle**
 - Jet chamber and sump tank piping are at 1 atm during operations
- **Flexible hoses in Hg supply and return lines accommodate solenoid movement**
- **Pressure piping rated for full cylinder pressure**
 - See Table 5 in design document
- **Pressure piping fabricated to ASME IX code**

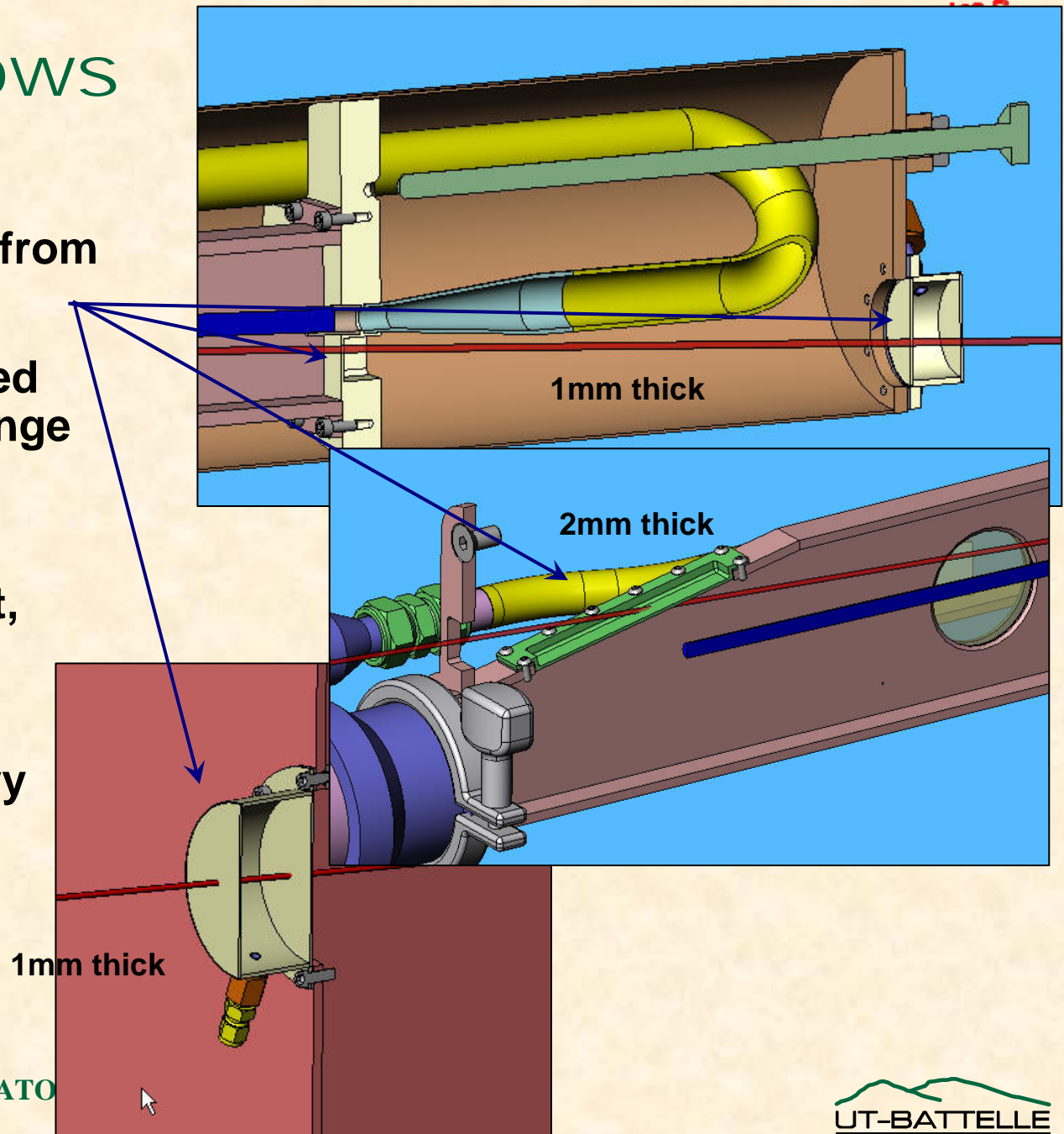


OAK RIDGE NATIONAL LABORATORY
U. S. DEPARTMENT OF ENERGY

UT-BATTELLE

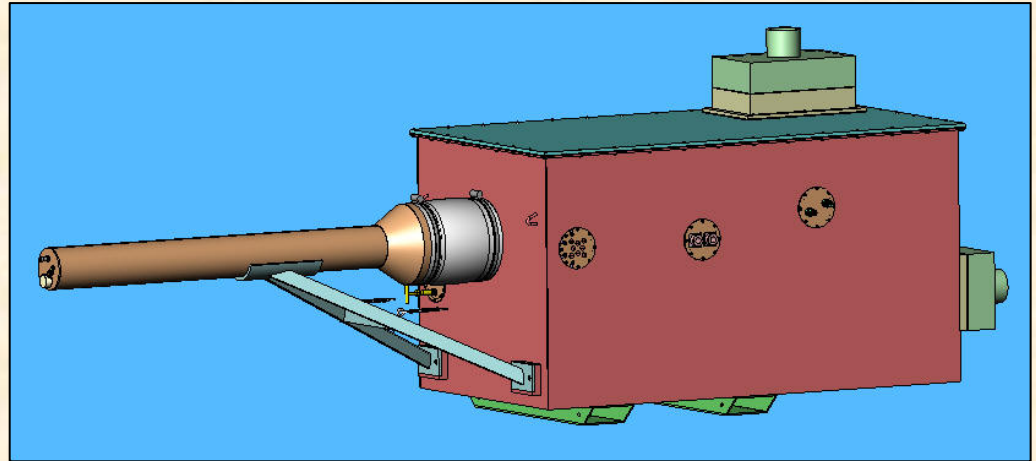
Beam Windows

- Windows fabricated from Ti6Al4V alloy
- Mechanically attached except for nozzle flange (fabricated from Ti)
- Single windows for primary containment, double windows for secondary
- Pressurize secondary windows, monitor to detect failure



Secondary Containment

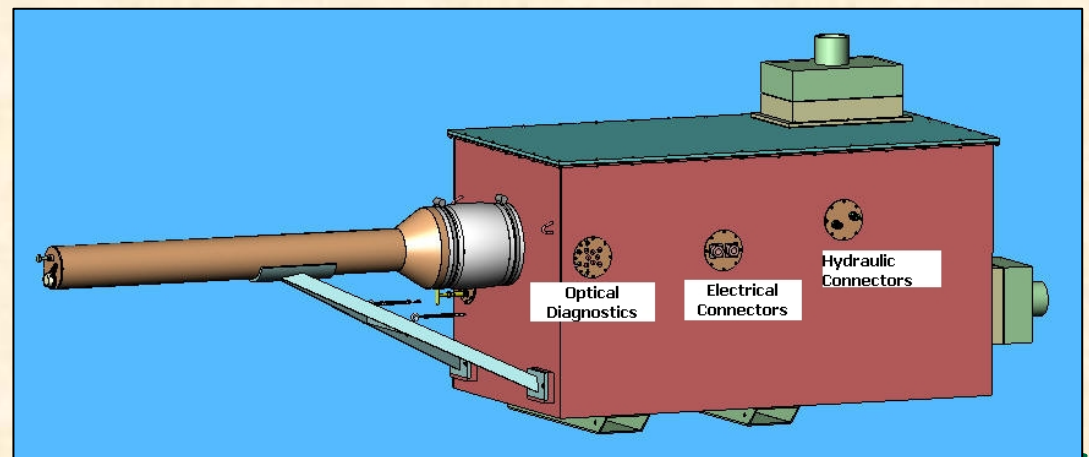
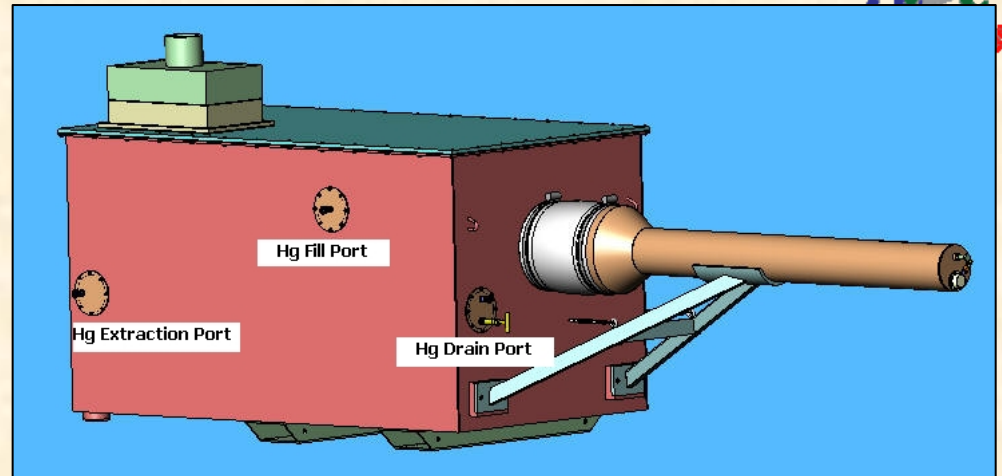
- Contains liquid Hg leaks and Hg vapors from primary containment
- SS304/316 box, flexible metal duct, and cylindrical sleeve
- Lexan top allows visual inspection
- Passive Hg vapor filtration
- Incorporates handling & shipping features



OAK RIDGE NATIONAL LABORATORY
U. S. DEPARTMENT OF ENERGY

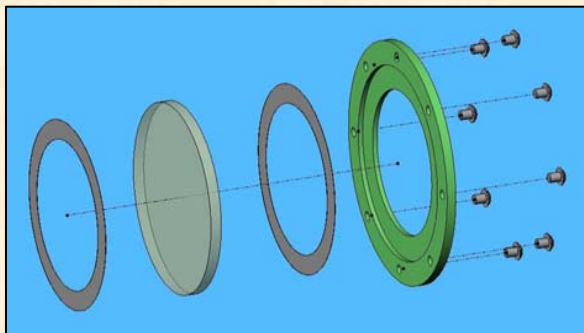
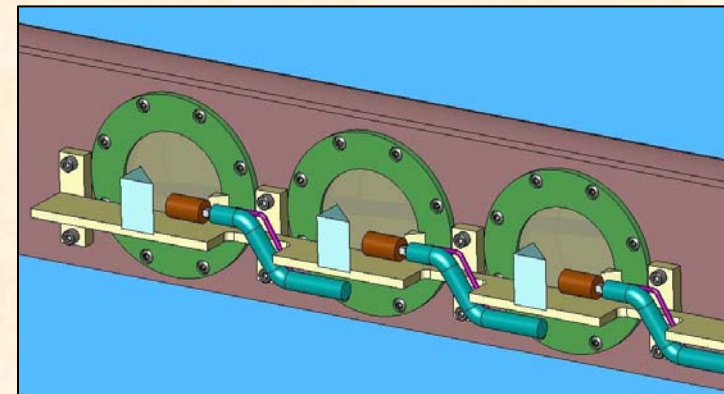
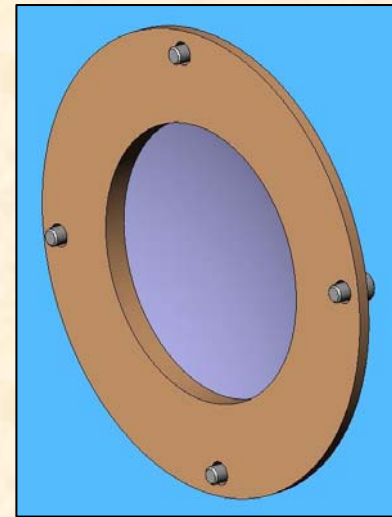
Ports

- Hydraulics
- Instrumentation
- Optical diagnostics
- Hg drain & fill (without opening secondary)
- Hg extraction (in event of major leak in primary containment)
- Passive filtration

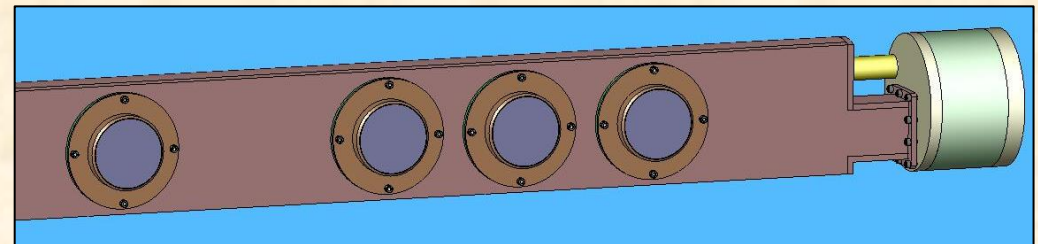


Optical Diagnostics

- 8X 100 mm-dia, 6mm-thick sapphire windows with cover plates mechanically attached to jet chamber
 - Window has been impact-tested at Princeton
- One set of windows configured for reflector assemblies
- BNL to provide splitters, prisms, lenses, bracket, mounting hardware, adjustment mechanisms, & installation

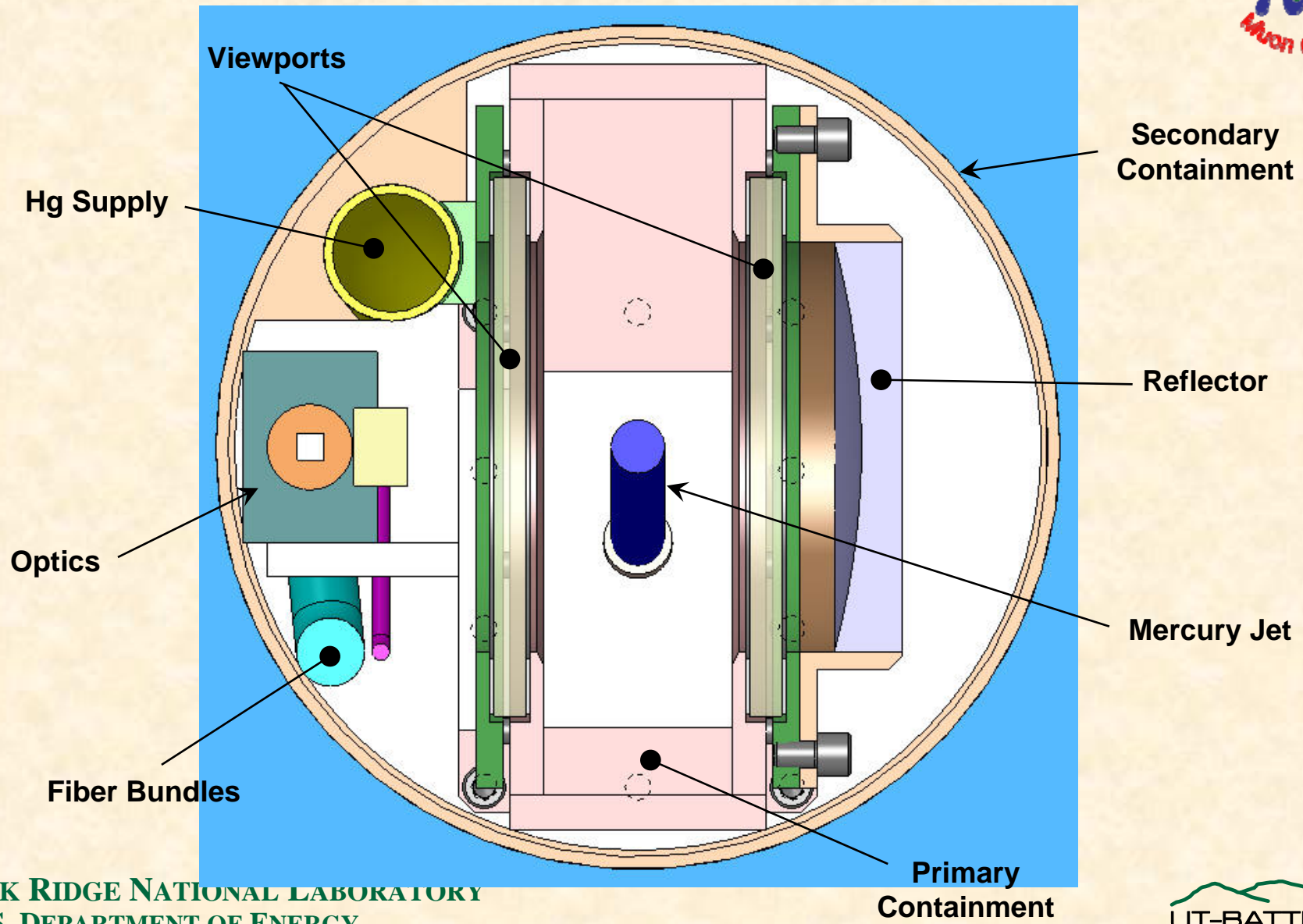


Viewport Assemblies



Reflector Assemblies Mounted on Viewports

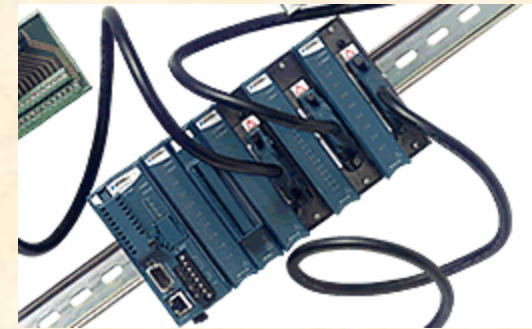
Z=0 Section Cut



LabView-Based Control System



- **LabView on laptop computer was chosen as system controller**
 - CompactFieldPoint I/O modules at syringe pump control station
 - Communicates to laptop via EtherNet cable
 - Should allow straightforward integration with other MERIT control systems



Instrumentation & Sensors



Controlled Components			
Hydraulic pump	Proportional control valve*	Heater foil	
Analog Sensor Inputs			
Hg discharge pressure	Hg level	Hg sump thermocouple	Secondary containment thermocouple
Cylinder 1 position*	Cylinder 2 position	Hg vapor 1*	Hg vapor 2*
Hydraulic fluid high pressure	Hydraulic fluid low pressure	Beam window 1 pressure*	Beam window 2 pressure*
Digital Sensor Inputs			
Hydraulic filter dirty switch	Hydraulic low level switch	Conductivity probe	

* Critical for system operation or safety

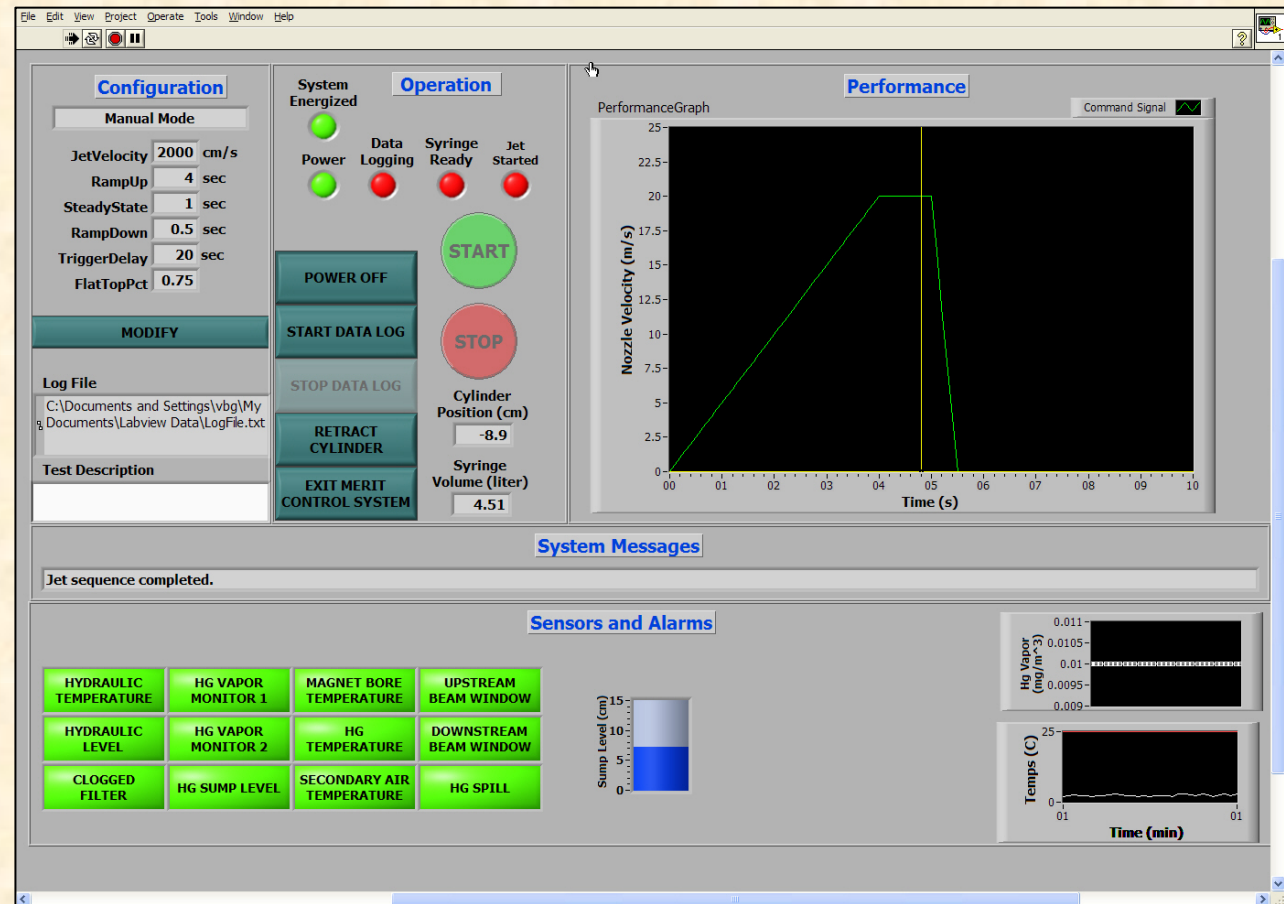
OAK RIDGE NATIONAL LABORATORY
U. S. DEPARTMENT OF ENERGY



Hg Syringe Control Operator Interface



- Jet velocity profile
- Syringe control
- Performance feedback
- Data logging
- Operator messages
- Status & alarm indicators



Facility Interfaces

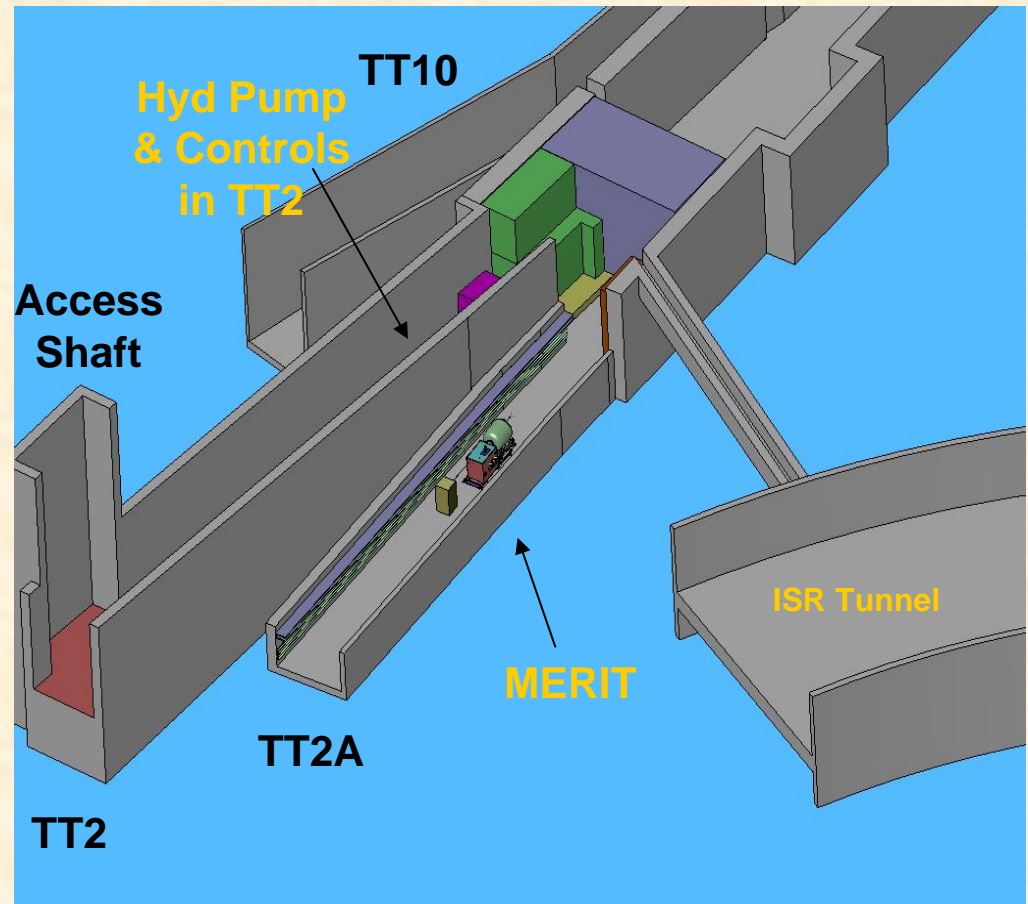


- **Electrical**

- System requires 30 kW power supply, 380V/3ph/50Hz (460V/3ph/60Hz for MIT)
- HPU has on-board transformer to provide 120 VAC, 24 VDC for other Hg system components and instruments
- Means of de-energizing power source from remote control room required

- **Network**

- System control requires ethernet wiring between control room and TT2





Off-Normal Conditions

- **Actually controlling a hydraulic pump and proportional valve, not a syringe**
 - Losing power will shut down pump & stop pistons
 - At worst, software malfunction could drive piston at full speed to cylinder end-stop
 - Hydraulic system has over-pressure protection to limit pressure induced in Hg & protect cylinders
- **Secondary containment always closed during operations**
 - All openings gasketed, any Hg vapors should remain trapped
- **Only viable means noted for over-pressurizing the secondary containment is temperature rise of hydraulic fluid**
 - Air temperature inside secondary monitored



Off-Normal Conditions (cont.)

- **Primary containment pressure should not exceed design limits under any off-normal circumstances**
- **Any Hg leaks due to seal or gasket failure will be contained within the secondary**
 - Instrumentation should allow diagnosis of condition
 - Visual inspection possible after several hour cool-down
 - Provisions made in design to allow Hg removal from closed secondary should a catastrophic leak occur
- **Hydraulic fluid also activated, so precautions needed for leaks and drips**



Conclusions

- **MERIT Hg system designed for pressures greater than anticipated during operations**
- **Secondary containment will contain any Hg liquid or vapors should a primary containment failure occur**
- **System has features to allow Hg fill/drain without opening secondary containment**
- **System operating characteristics will be quantified during ORNL and MIT testing**