



# MERIT Video Conf. Cryogenics

CERN

Oct. 4, 2006

Friedrich Haug

CERN

Cryogenics for Experiments



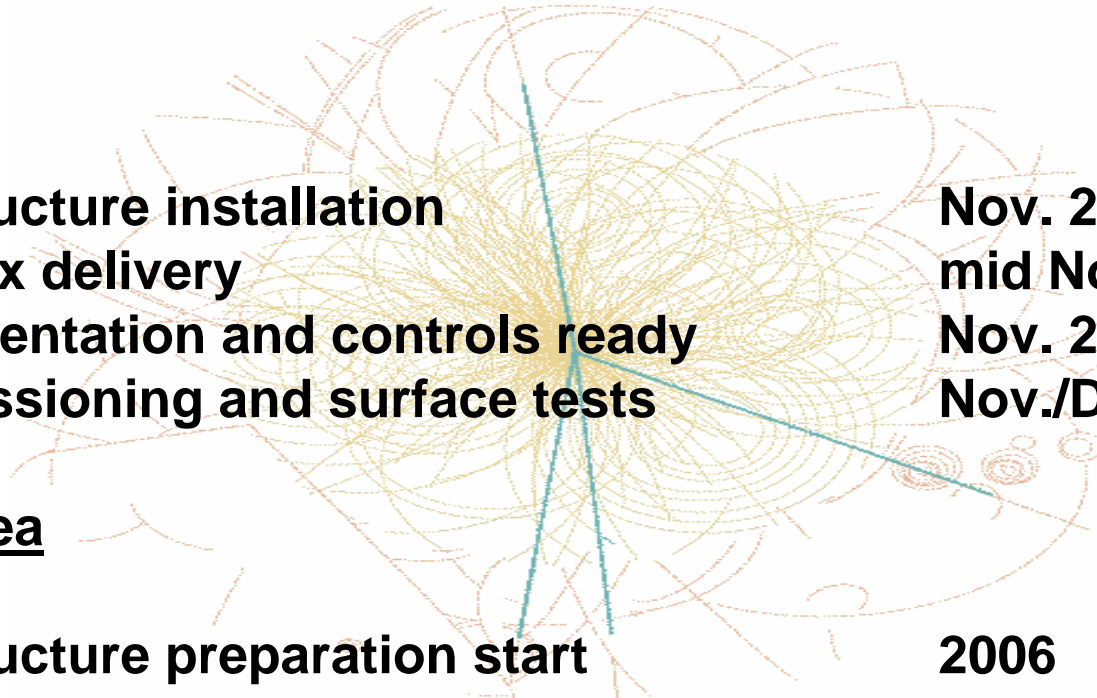
## Provisional Planning (simplified)

### Hall 180

- Infrastructure installation Nov. 2006
- DVB box delivery mid Nov. 2006
- Instrumentation and controls ready Nov. 2006
- Commissioning and surface tests Nov./Dec 2006

### TT2A area

- Infrastructure preparation start 2006
- Magnet delivery Jan. 2007
- Move and re-installation Jan. 2007
- Commissioning and provisional cold tests Feb. 2007
- Final operation >April 2007

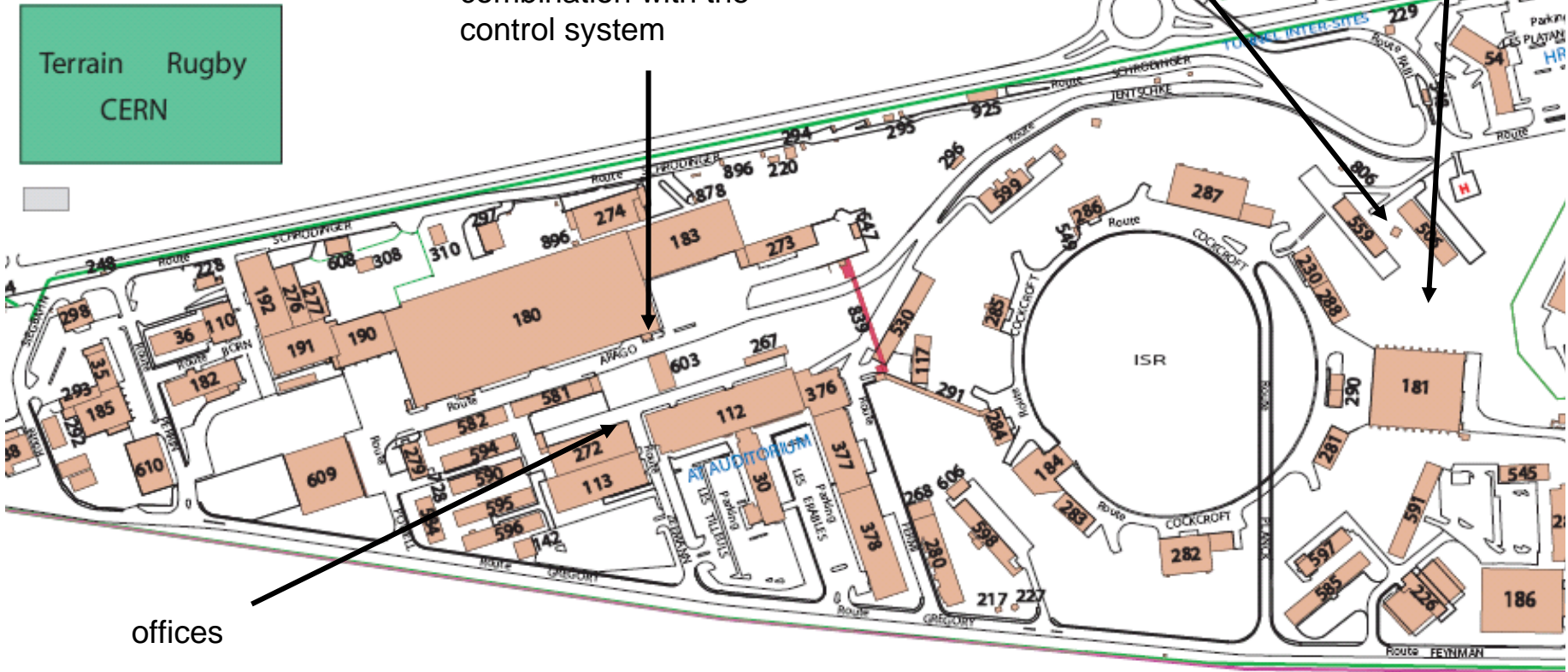


# 5. On Surface Test +Commissioning at Hall 180 (ATLAS)

Location of test area at hall 180 for the pre-commissioning of DVB and equipment in combination with the control system

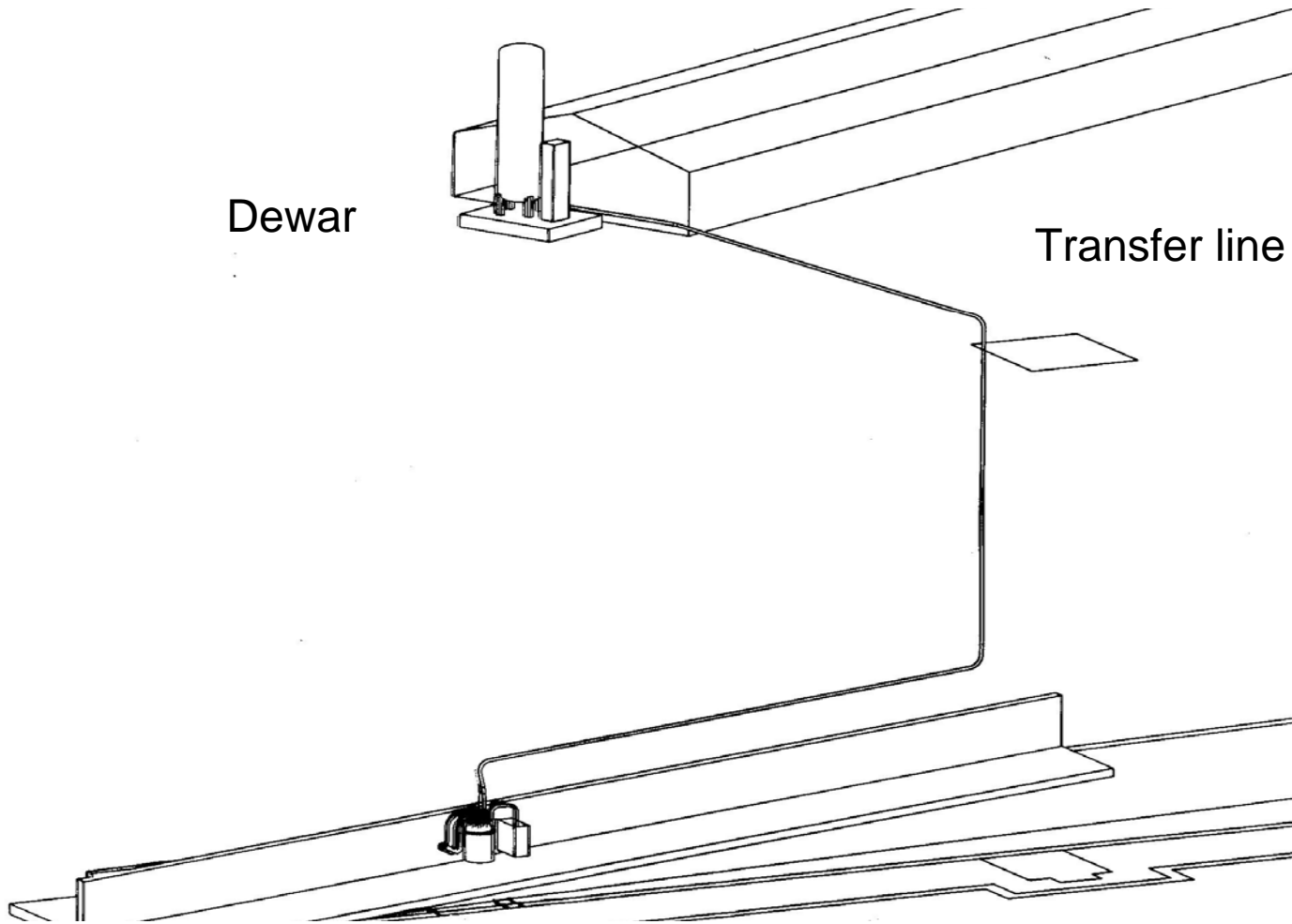
Approximate location of LN2 dewar (at surface)

Approximate location of MERIT at n-TOF (underground)

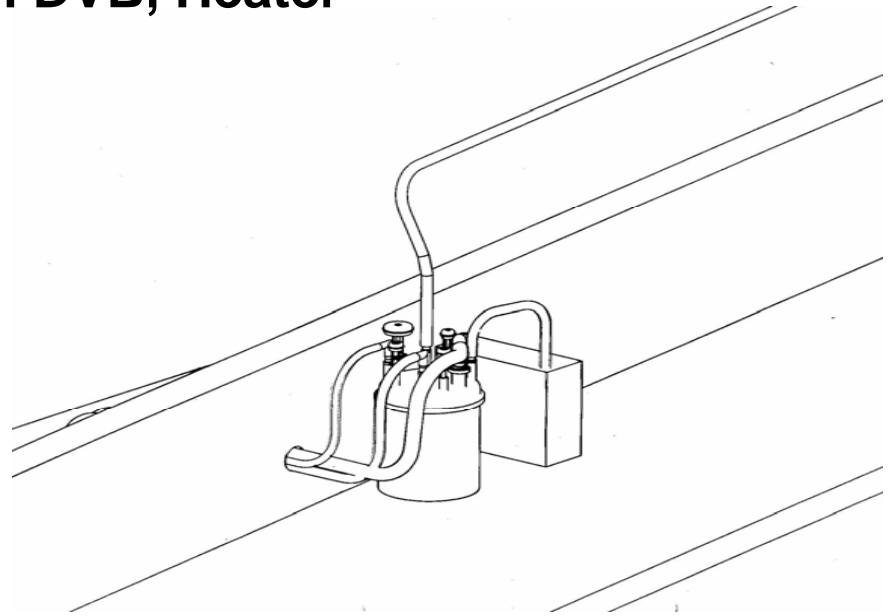


Lay-out of CERN Meyrin (western part) with MERIT locations

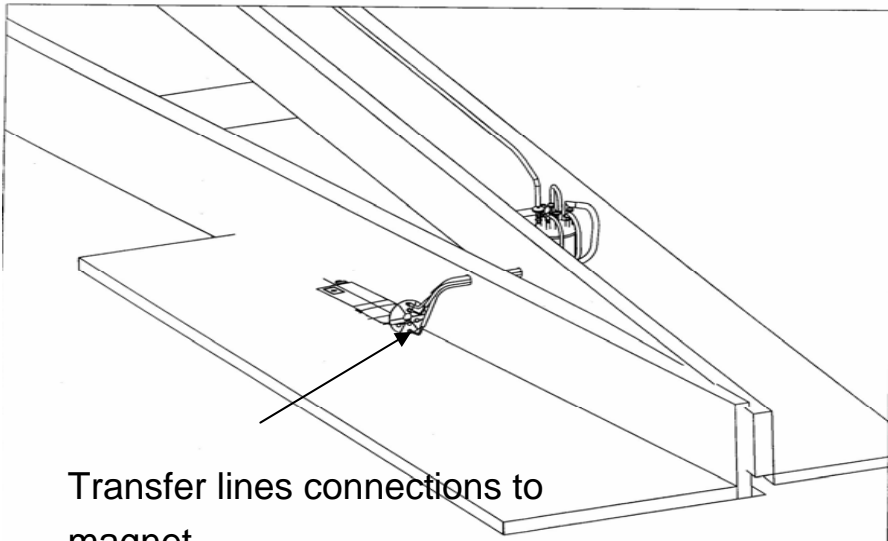
# Overall Lay-out (Surface and underground area)



# Underground Lay-out with DVB, Heater and Transfer Lines



DVB and Heater with Transfer Lines



Transfer lines connections to magnet

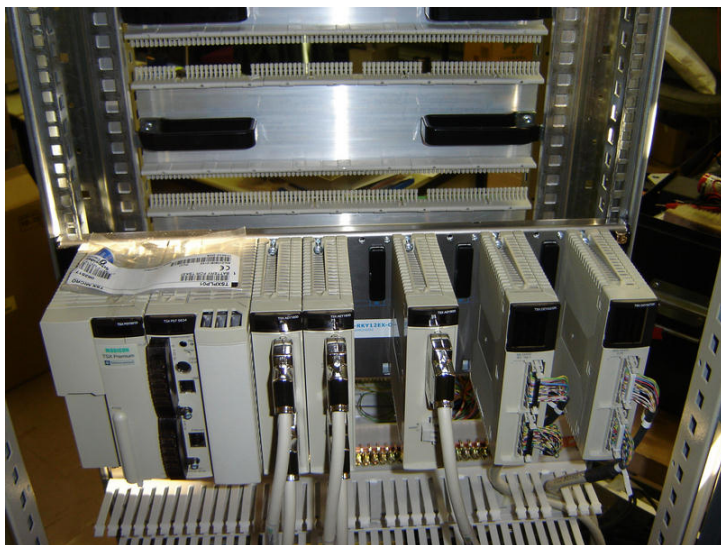
Underground Lay-out



# Controls Hard and Software

Electrical rack in progress;  
PLC (Schneider Premium unity) ok;  
Supervision (PVSS) in progress;  
Synoptics in progress;  
Functional Instrumentation ok;  
Process logic in progress with F. Haug;  
Unicos Logic in progress;  
Ethernet facilities in IT/CS hand (technical offer in progress)  
Electricity facilities in TS/EL hand;

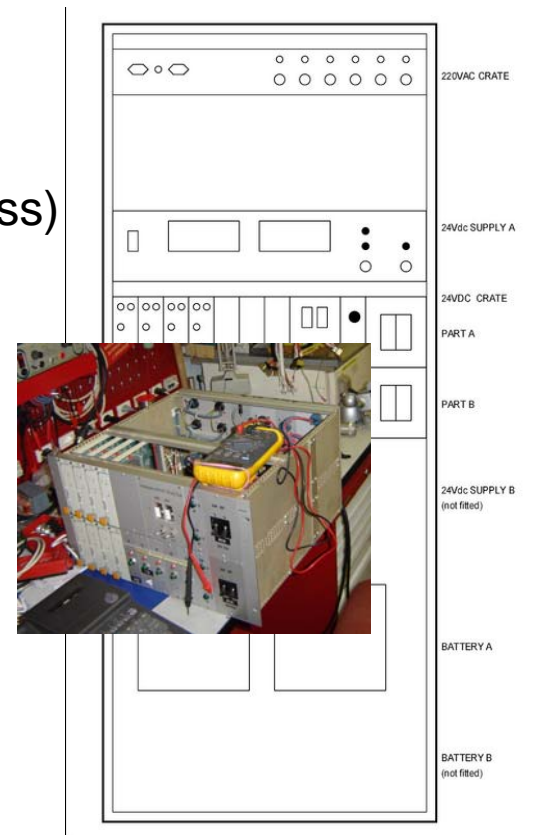
Work with ECR  
controls section



PLC modules



Connection units



Electrical rack