



Primary Containment Conceptual Layout

Van Graves

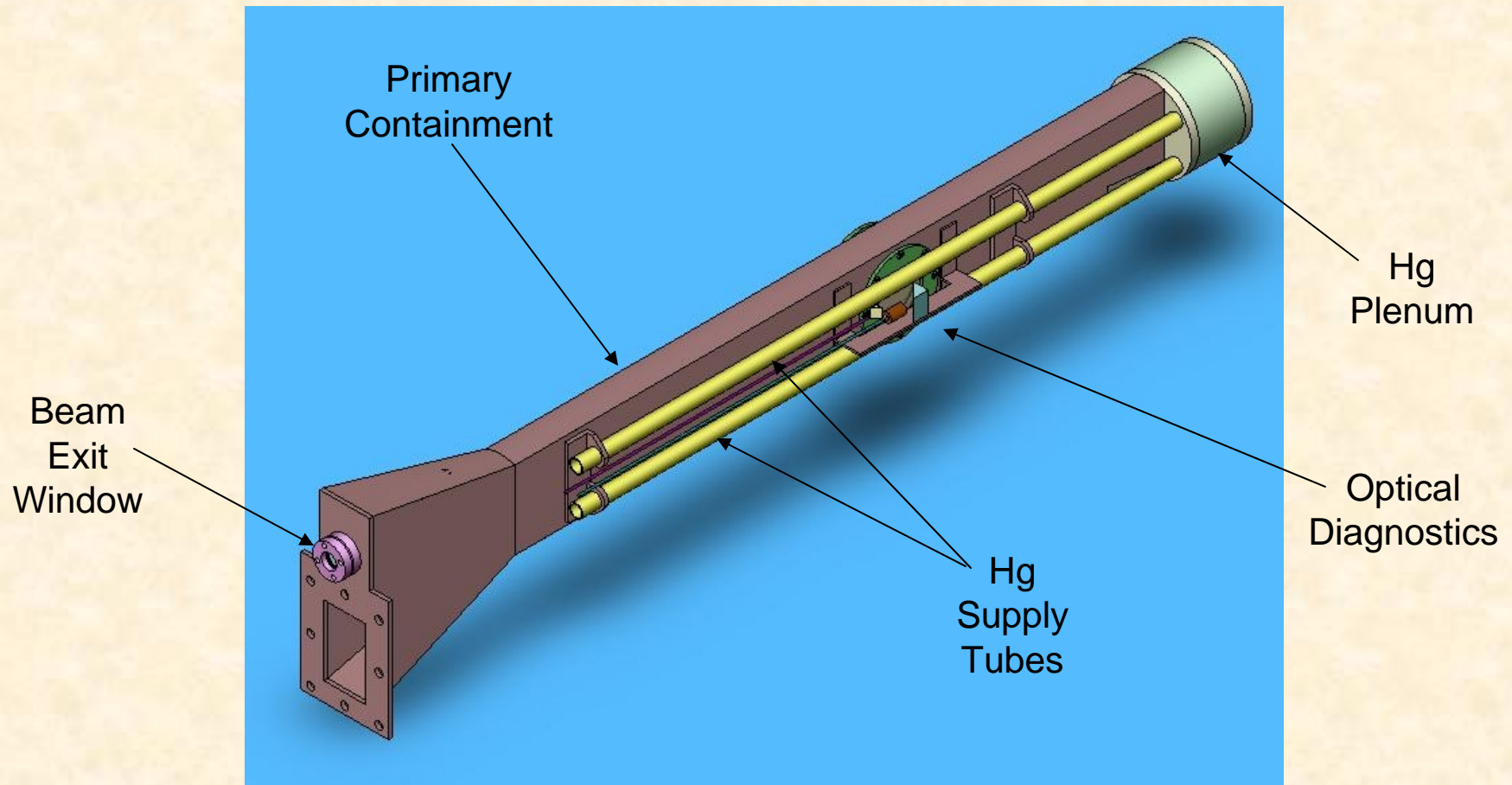
Tony Gabriel, Phil Spampinato

Targetry Teleconference

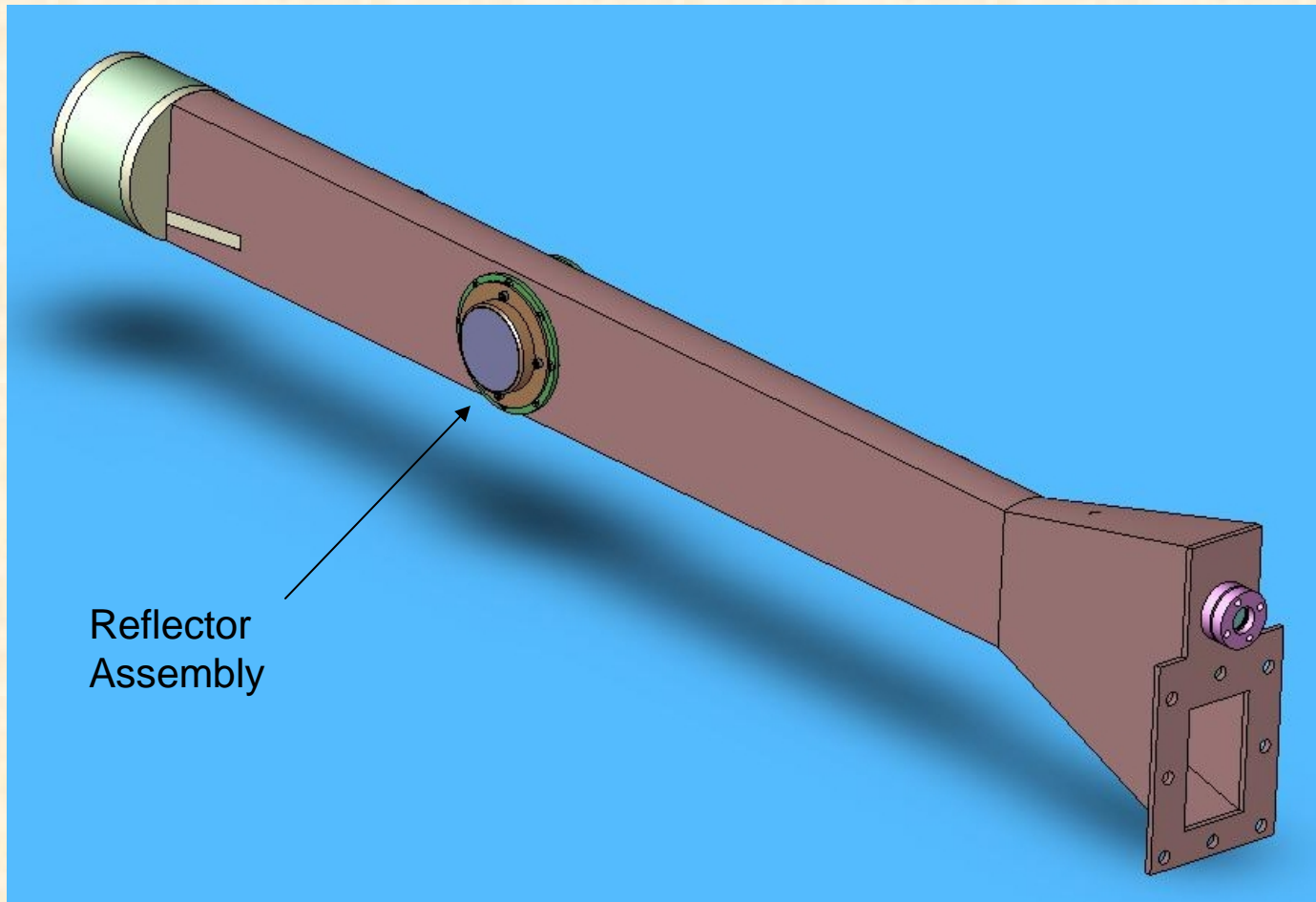
13 Jan 2005

**OAK RIDGE NATIONAL LABORATORY
U. S. DEPARTMENT OF ENERGY**

Primary Containment – Right Side

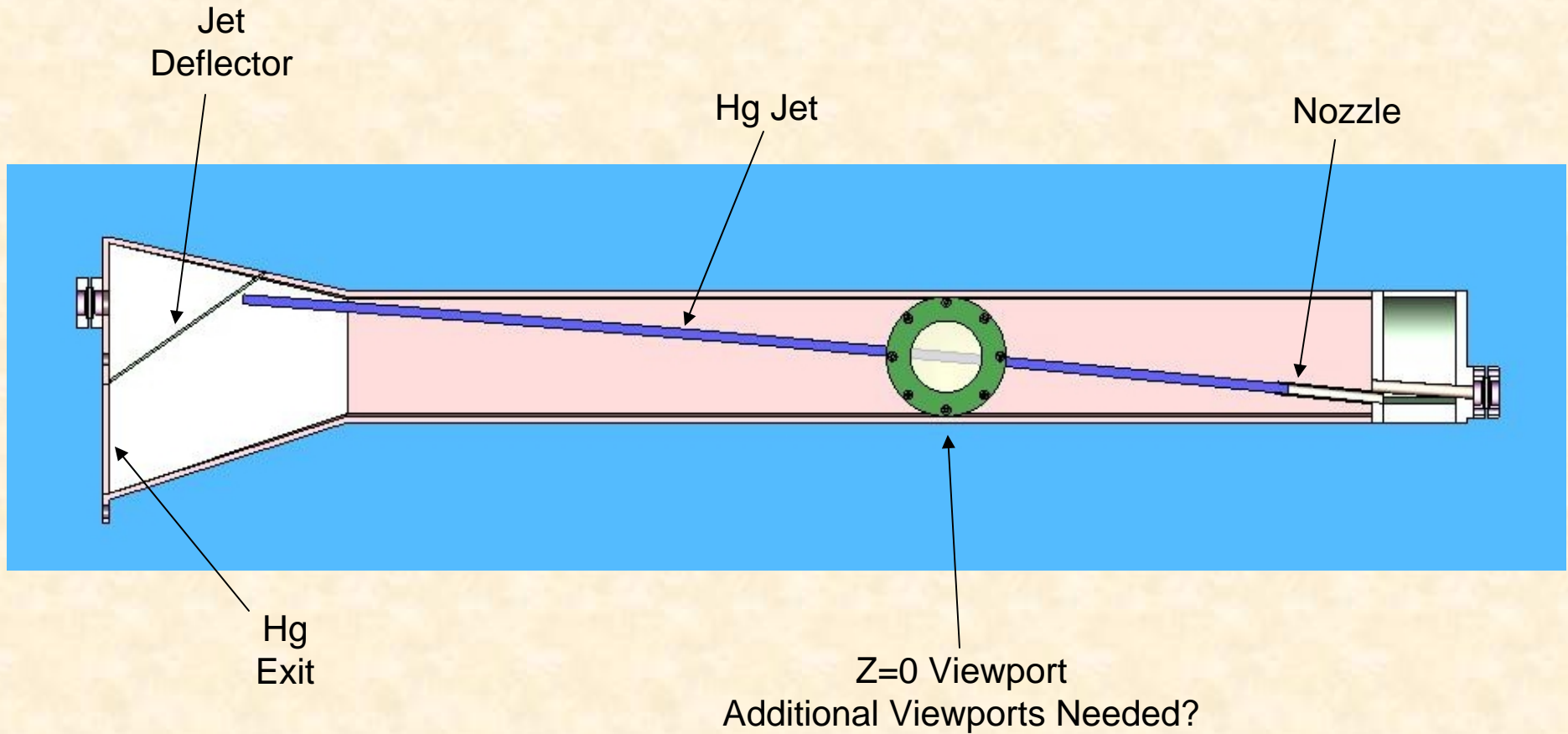


Primary Containment - Left Side

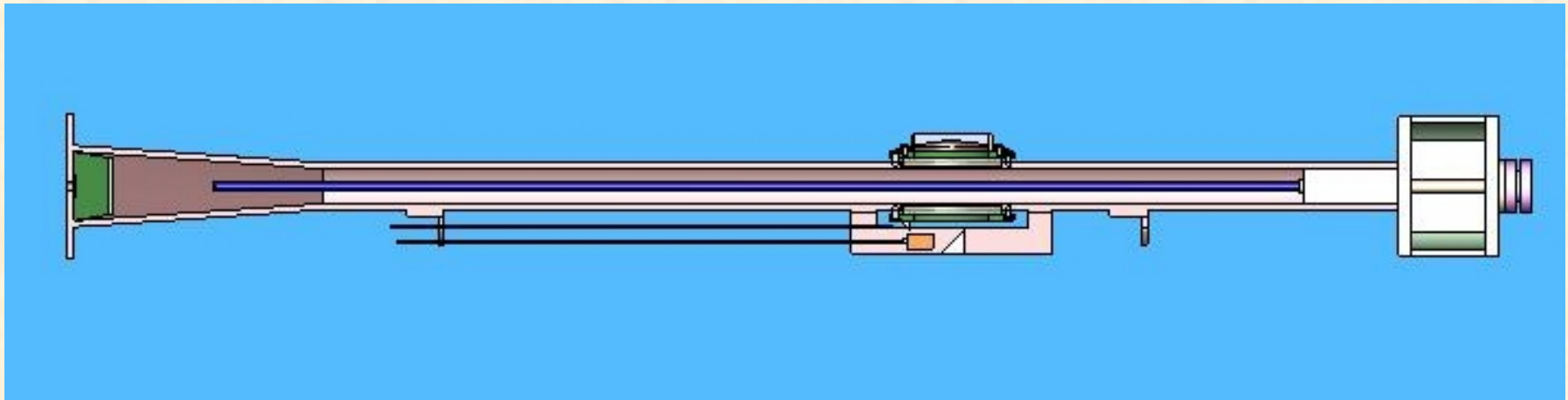


Reflector
Assembly

Primary Containment - Side View



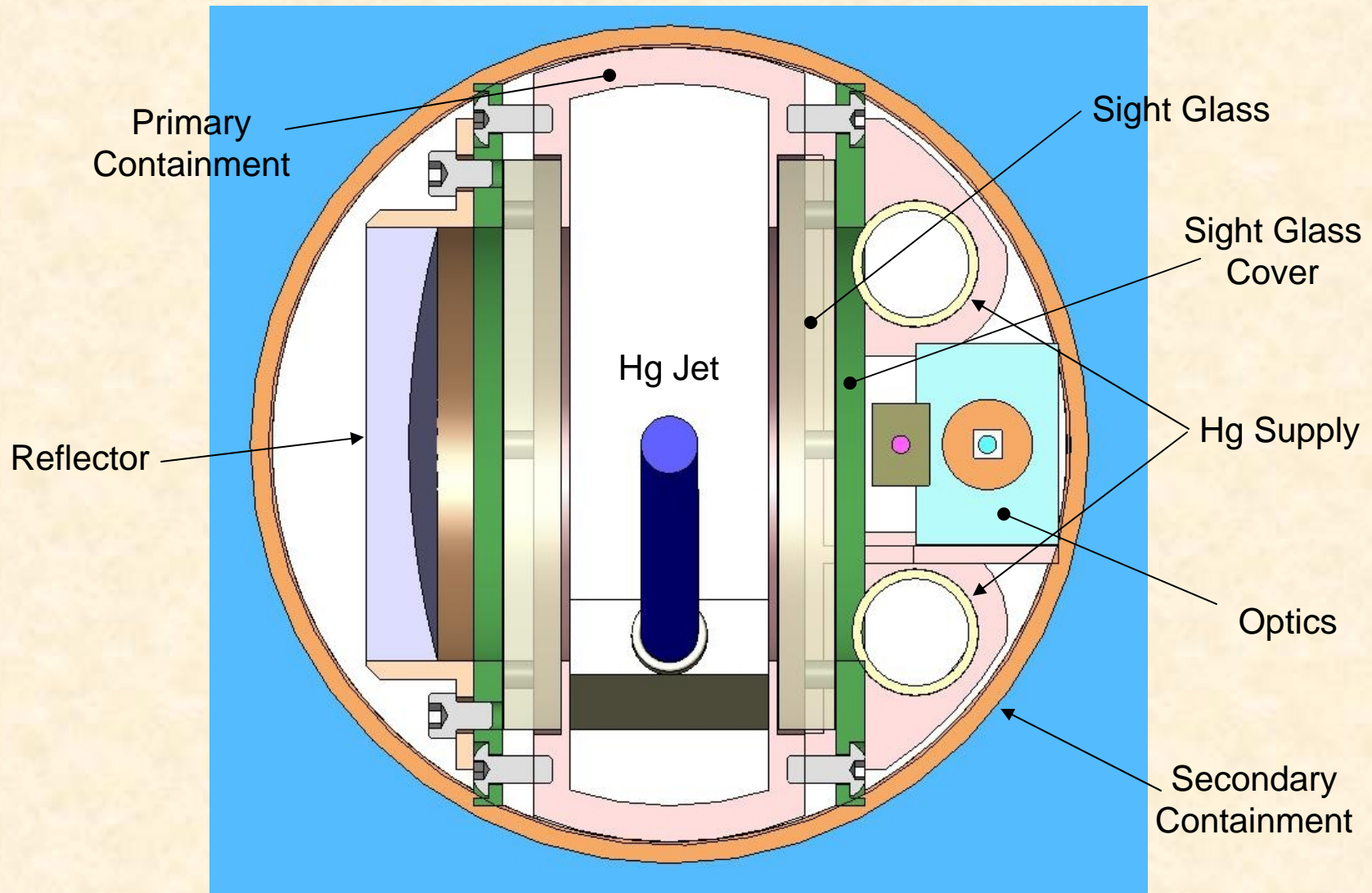
Primary Containment – Top View



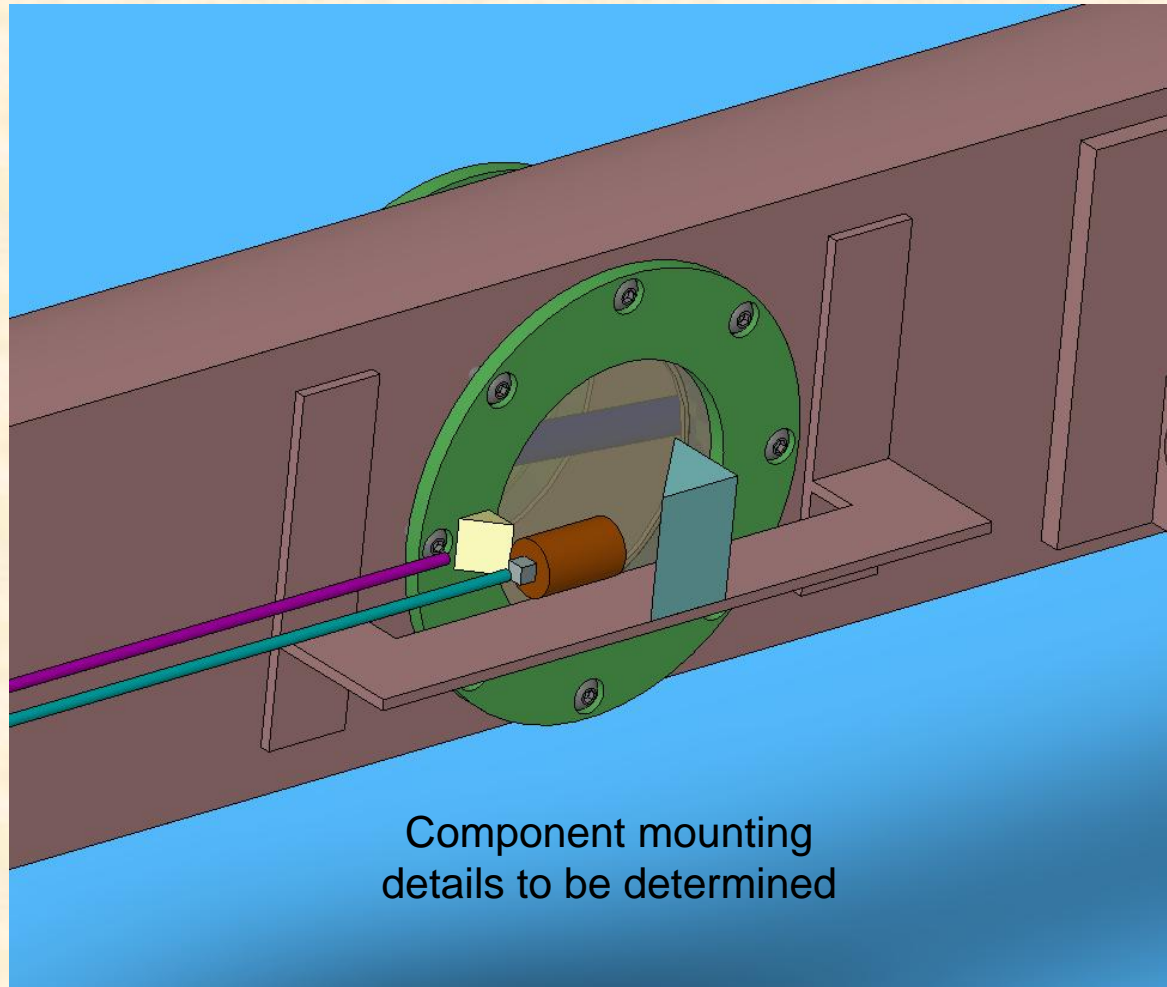
Downbeam End

Upbeam End

Primary Containment – Z0 End View

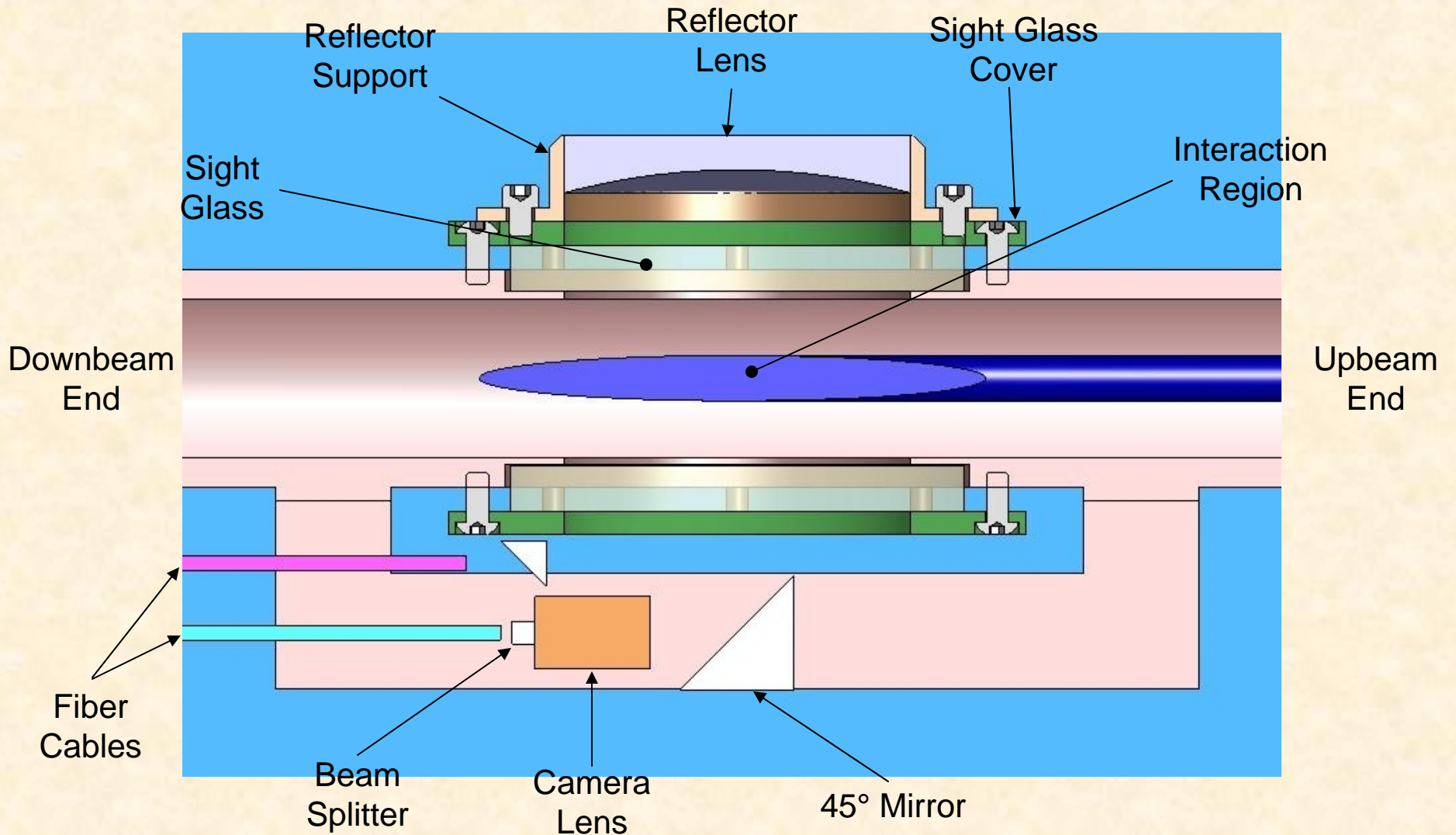


Optical Diagnostics

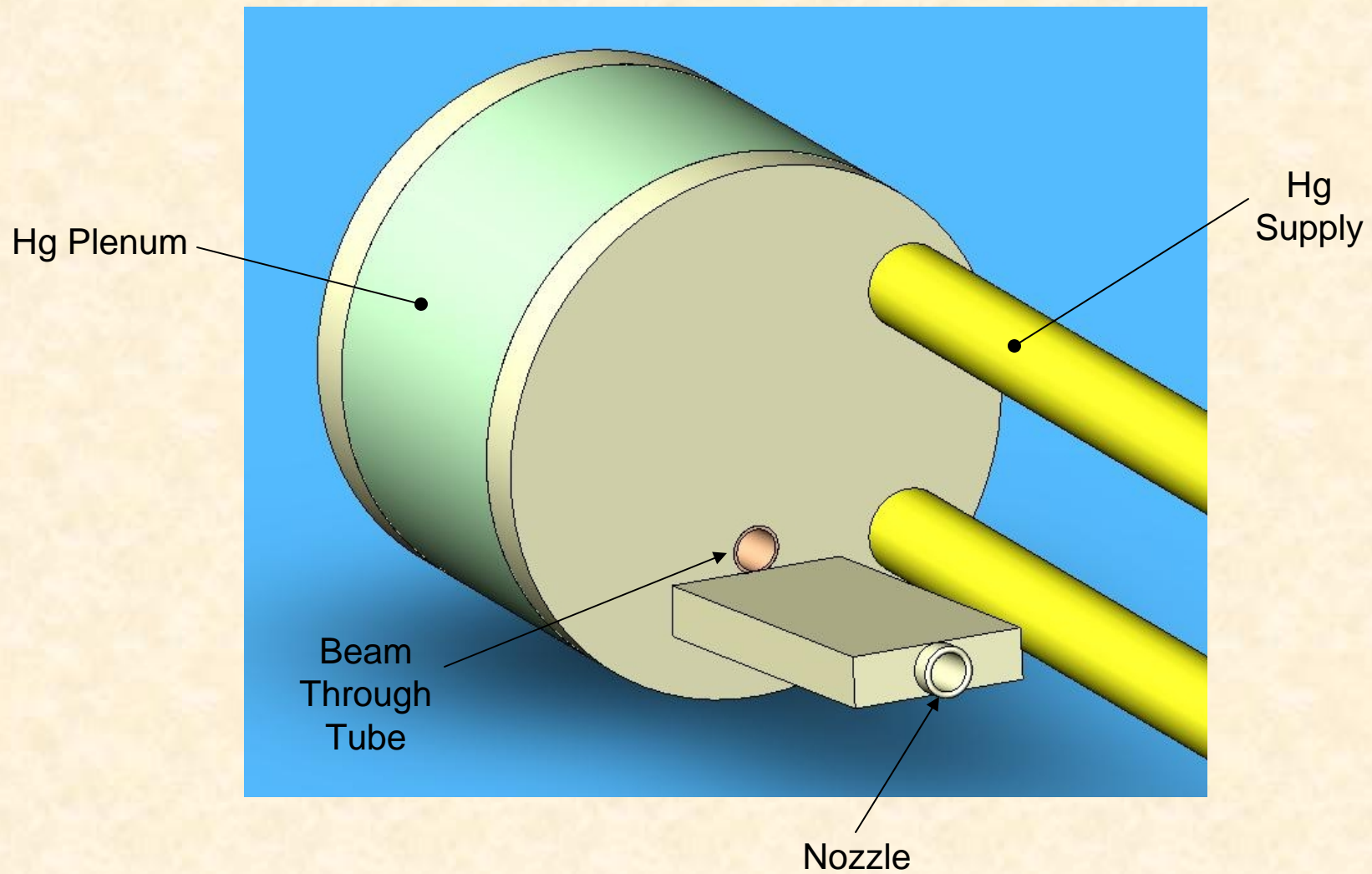


Component mounting
details to be determined

Optics Plan View



Plenum Assembly



Plenum Interior

